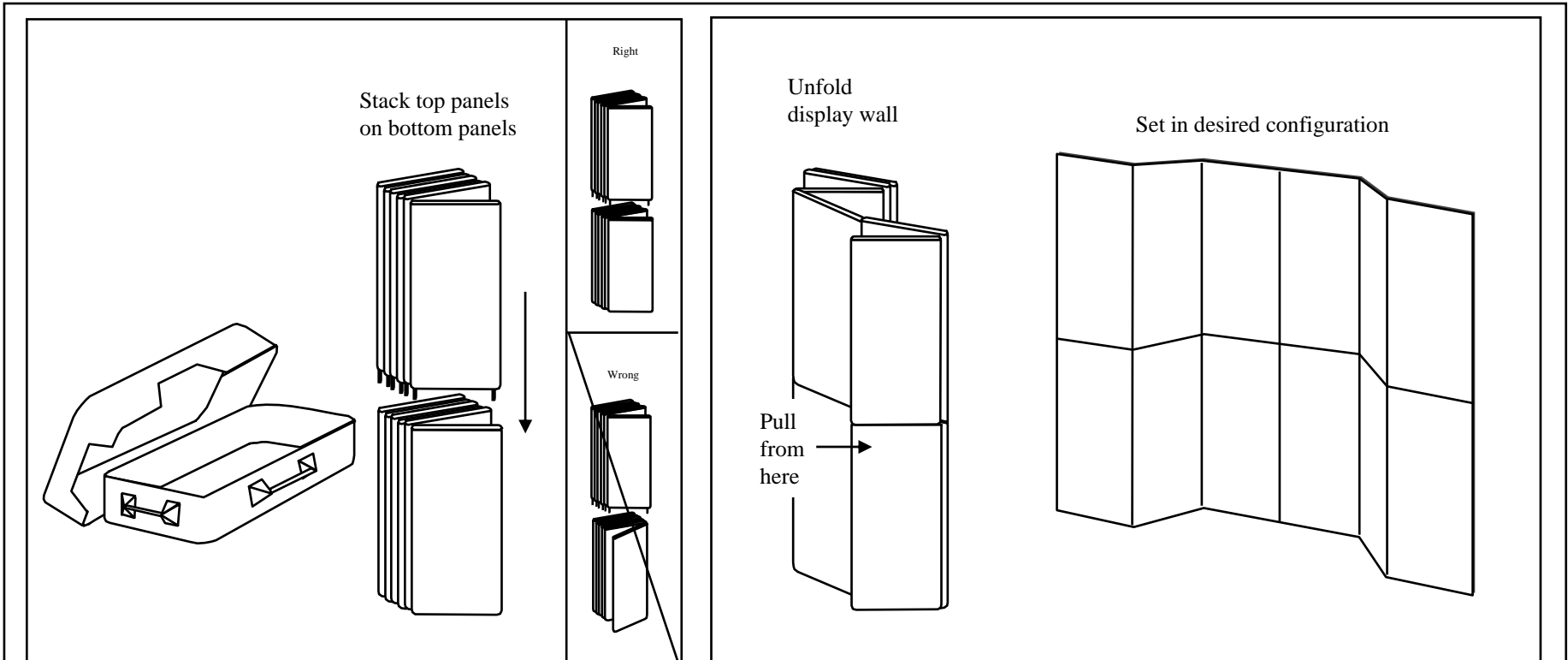


12 Panel Display Backwall Set-up Instructions



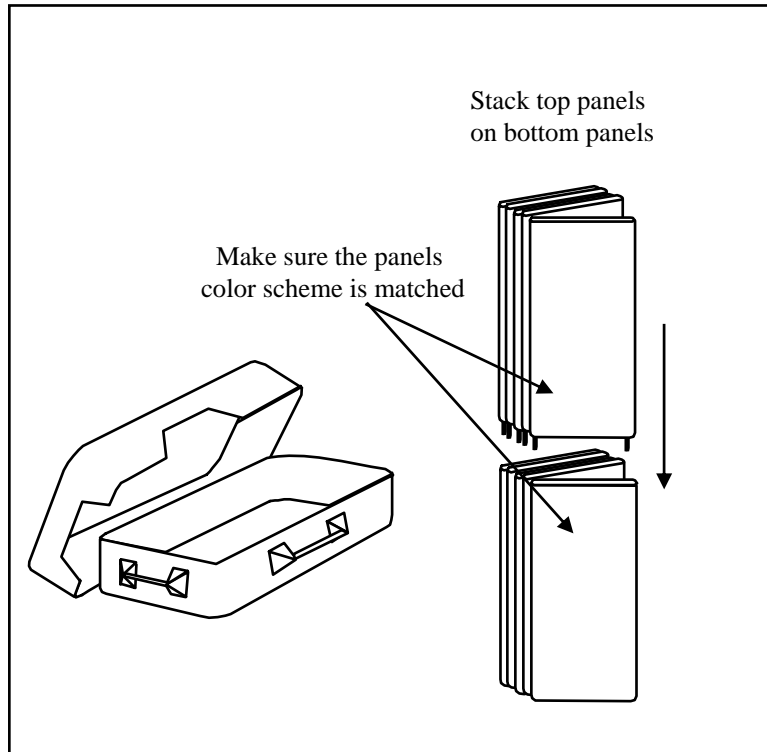
1.

Remove each folded sections from case or cases. Stand bottom section up (the unit with adjustable feet) with adjustable feet down. Lift top section up (the unit with pegs) pegs down and slide into receiving holes in bottom section. NOTE: Make sure panels are folded the same way (see diagrams).

2.

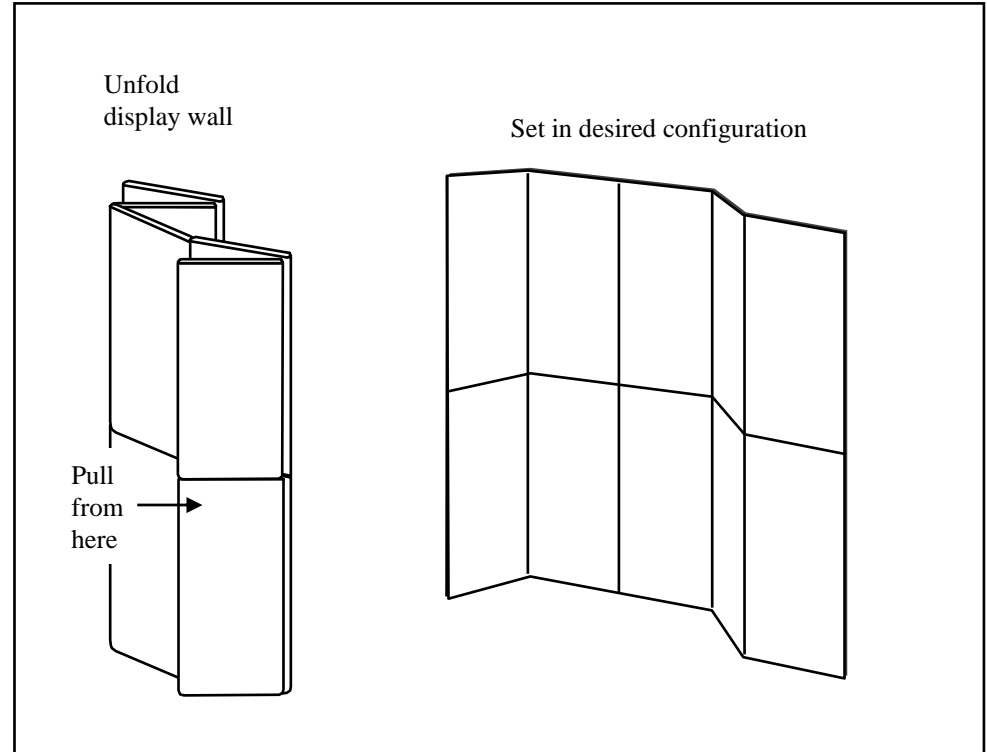
Slowly unfold unit by pulling on the bottom panels while supporting the top with your other hand while forming into desired configuration.

10 Panel Display Backwall Set-up Instructions



1.

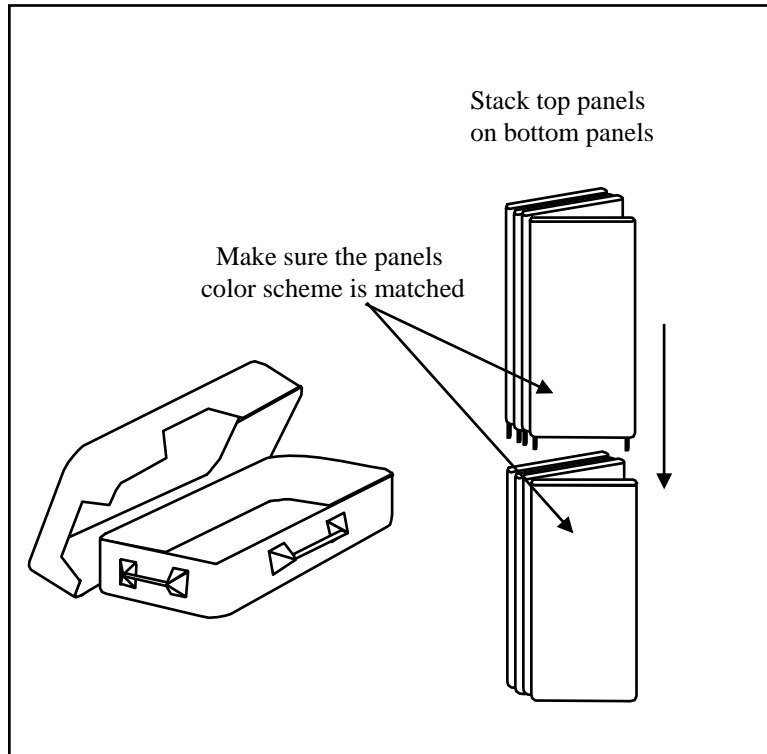
Remove each folded section from case or cases. Stand bottom section up (the unit with adjustable feet) with feet down. Lift top section up (the unit with pegs) pegs down and slide into receiving holes in bottom section. NOTE: Make sure panels are folded the same way (see diagrams).



2.

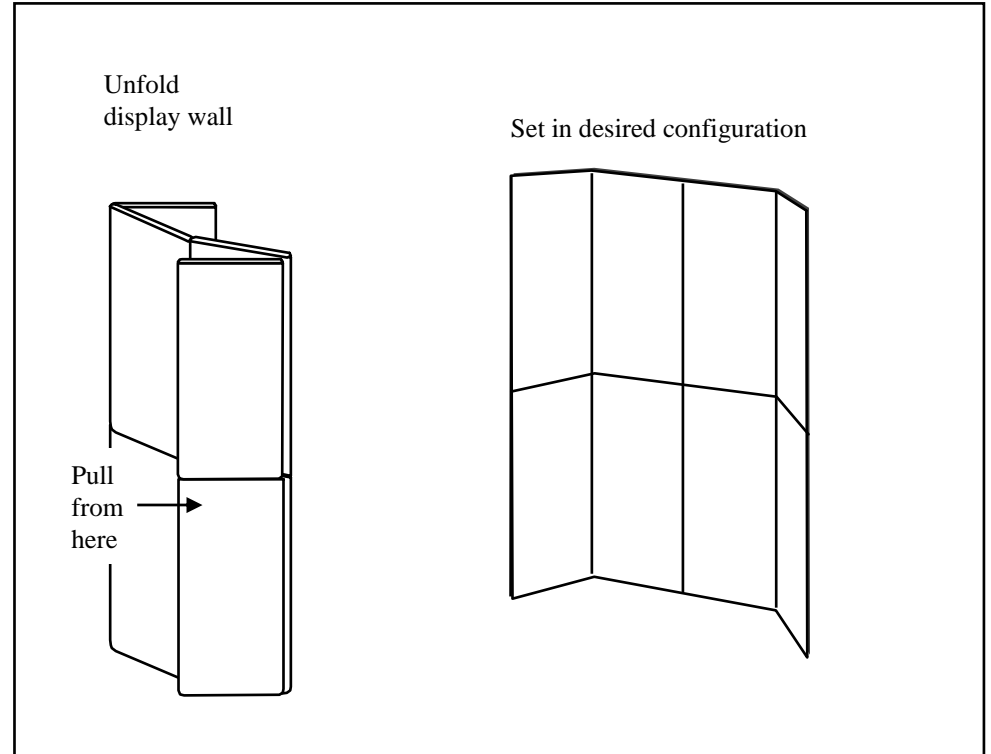
Slowly unfold unit by pulling on the bottom panels while supporting the top with your other hand while forming into desired configuration.

8 Panel Display Backwall Set-up Instructions



1.

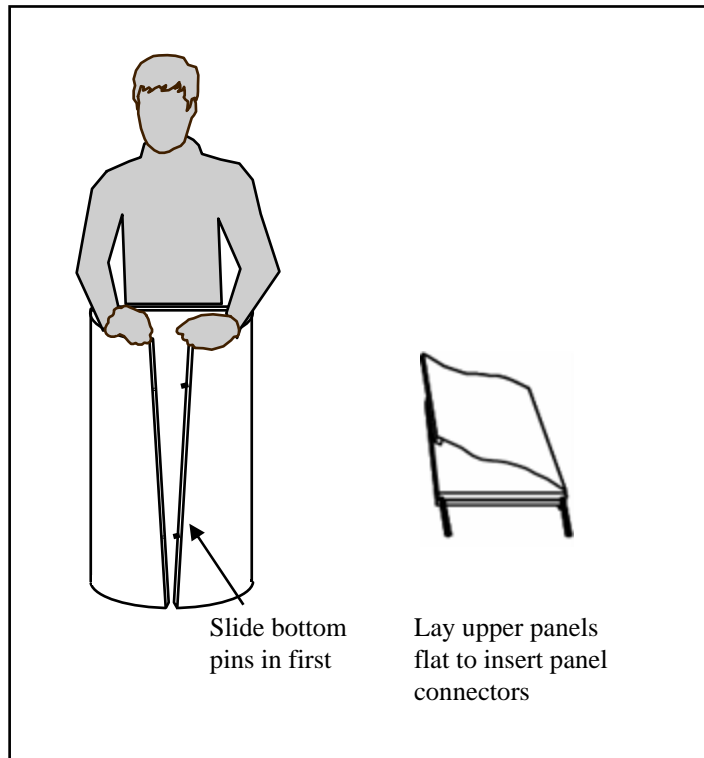
Remove each folded section from case or cases. Stand bottom section up (the unit with adjustable feet) with feet down. Lift top section up (the unit with pegs) pegs down and slide into receiving holes in bottom section. NOTE: Make sure panels are folded the same way (see diagrams).



2.

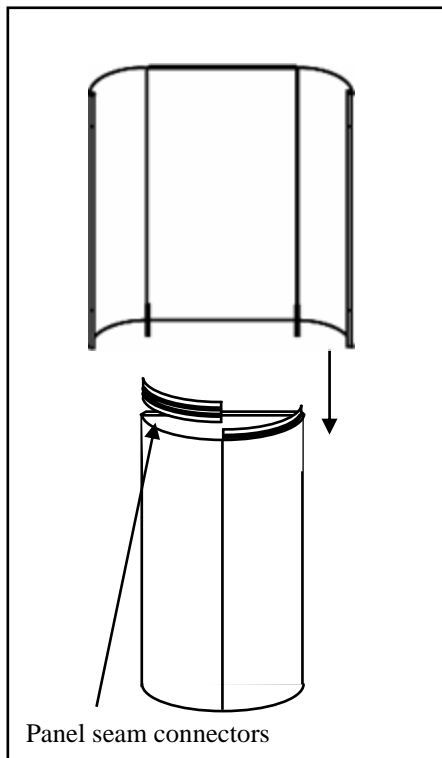
Slowly unfold unit by pulling on the bottom panels while supporting the top with your other hand while forming into desired configuration.

Tower Set-up Instructions



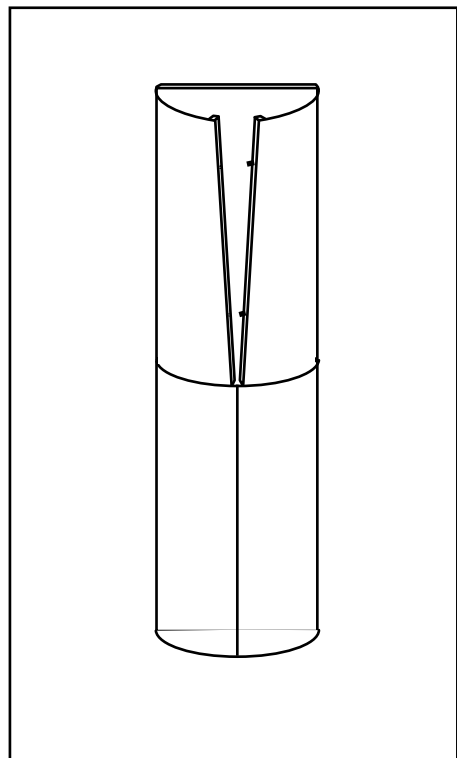
1.

Place bottom section on the floor and from the rear connect the flexible panels by guiding the pins into the receiving holes (align bottom hole then top). Then lay top panels flat and insert metal channel connectors.



2.

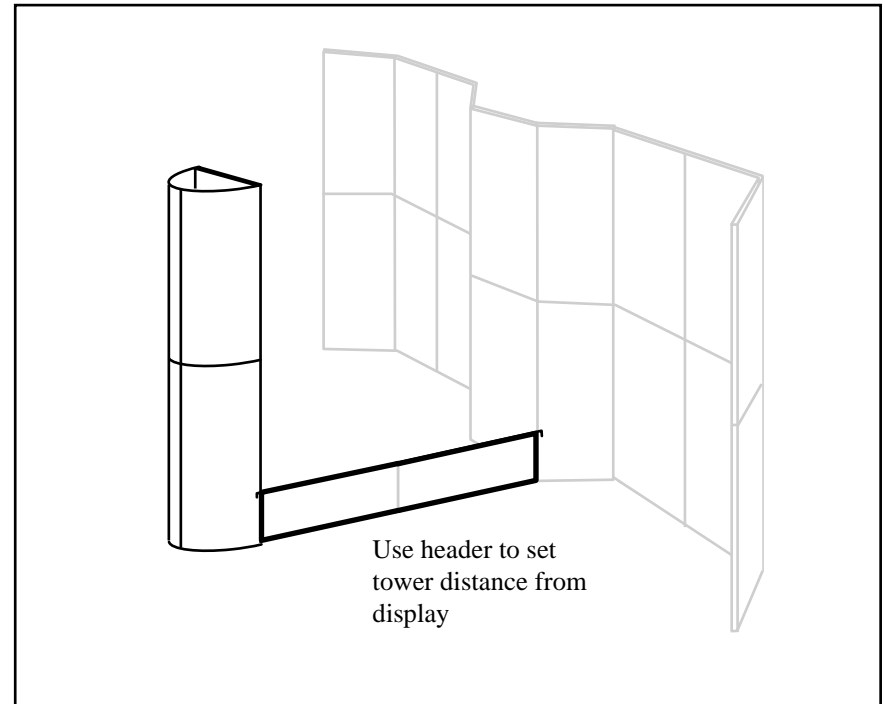
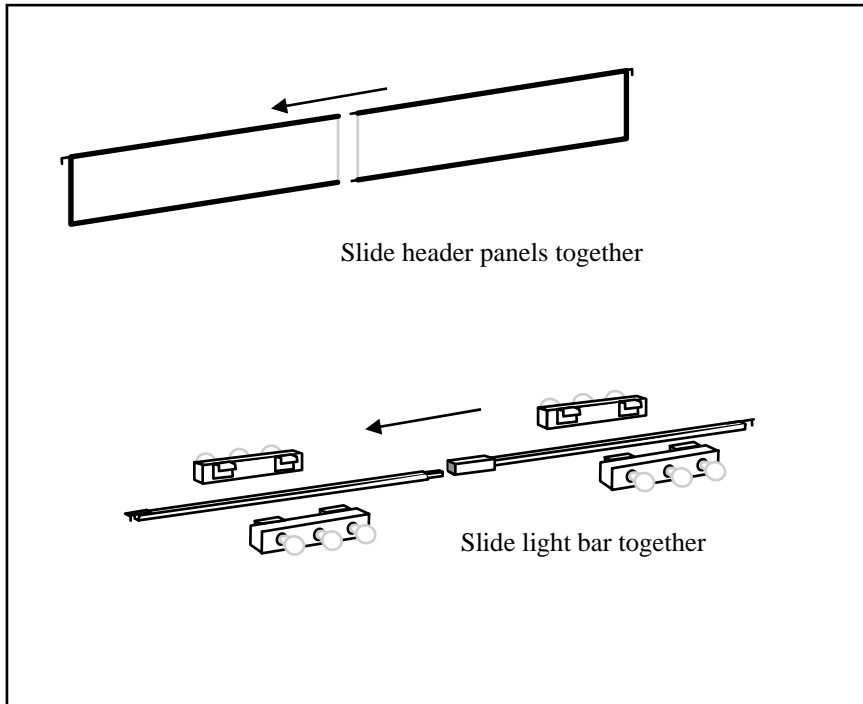
Attach panel tie connectors to inside of bottom curved panels by placing Velcro strip on inner top of bottom panels. Then guide top panels into bottom panels.



3.

Standing from the front, connect top flexible panels the same as in Step 1 (bottom pin first). Securing Velcro as the panels close together.

Bridge Header Set-up Instructions #1 of 2



1.

Slide header panels together and lock with thumb screws on top and Allen wrench on bottom. Then slide utility bar together.

2.

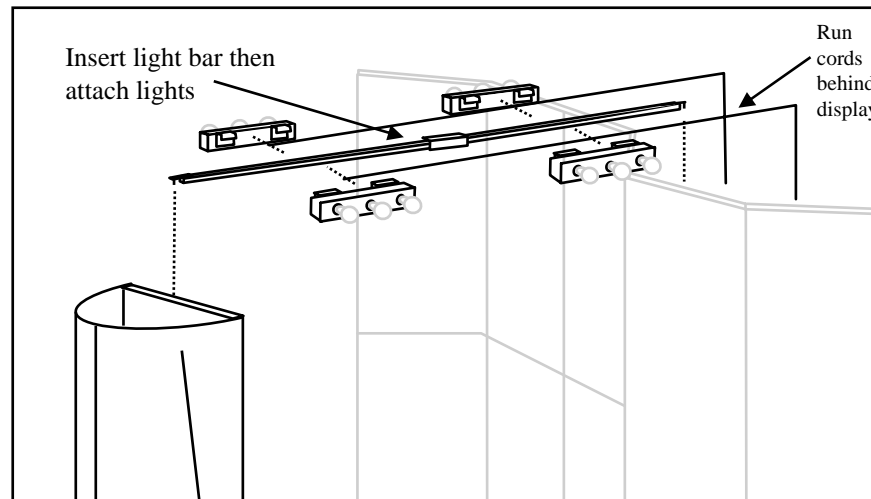
Space tower from display with header and ceiling panels.

NOTE: If it fits when you lay it out on the floor, it will fit when the headers are up and the ceiling is set into place. Thus, make sure panels are squared up on the floor before installing into final position.

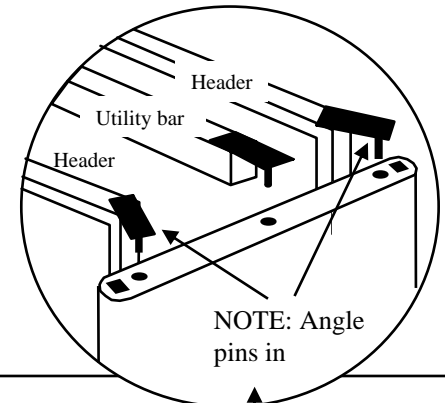
Bridge Header Set-up Instructions #2 of 2

3.

Insert light bar in the top middle hole of display and tower panels.

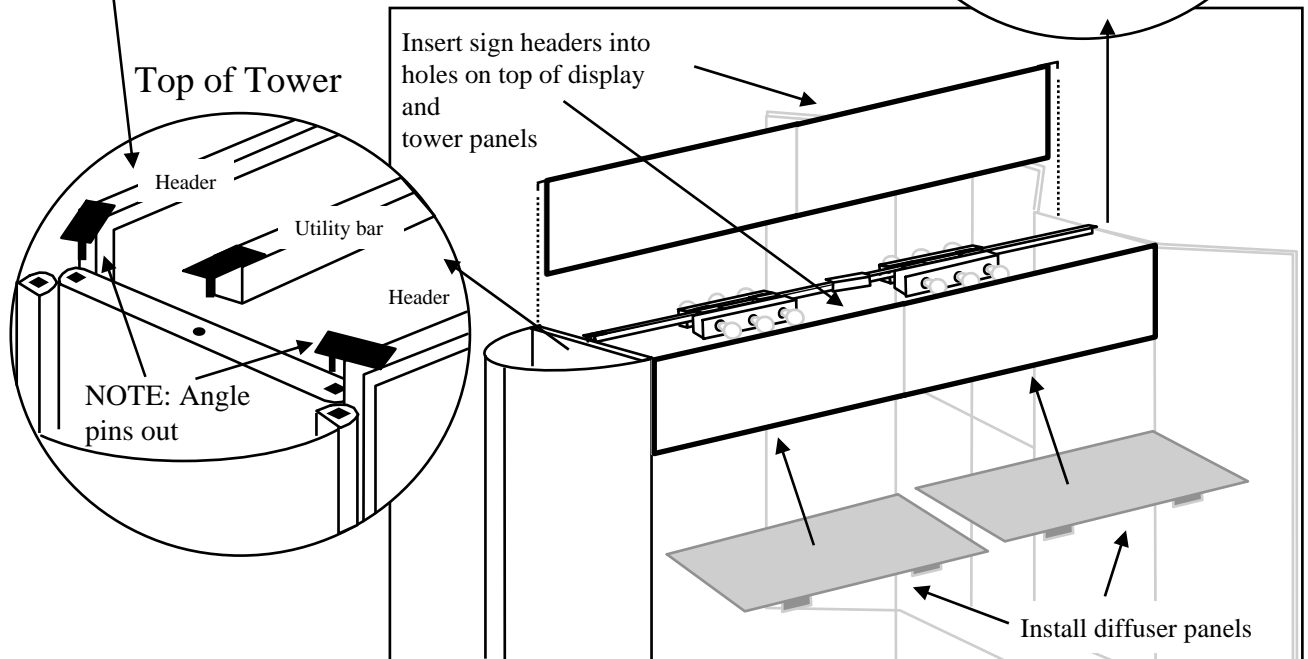


Top of Display Wall

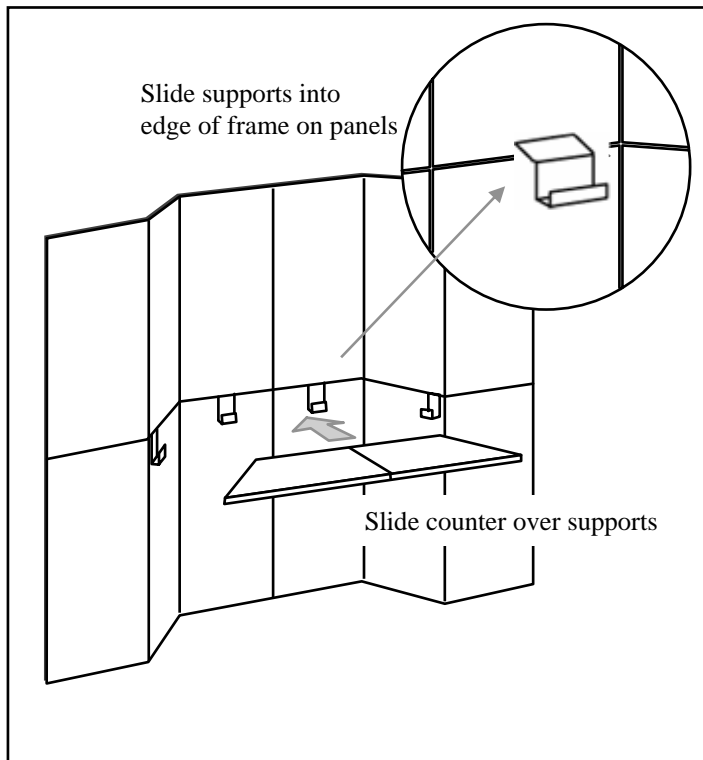


4.

Insert header panels in top left and right holes of display and tower panels. NOTE: Pins angle **out** on tower unit panel and **in** on display wall panel. Then insert light diffuser panels by hooking clips into channel on bottom inside of header panels.

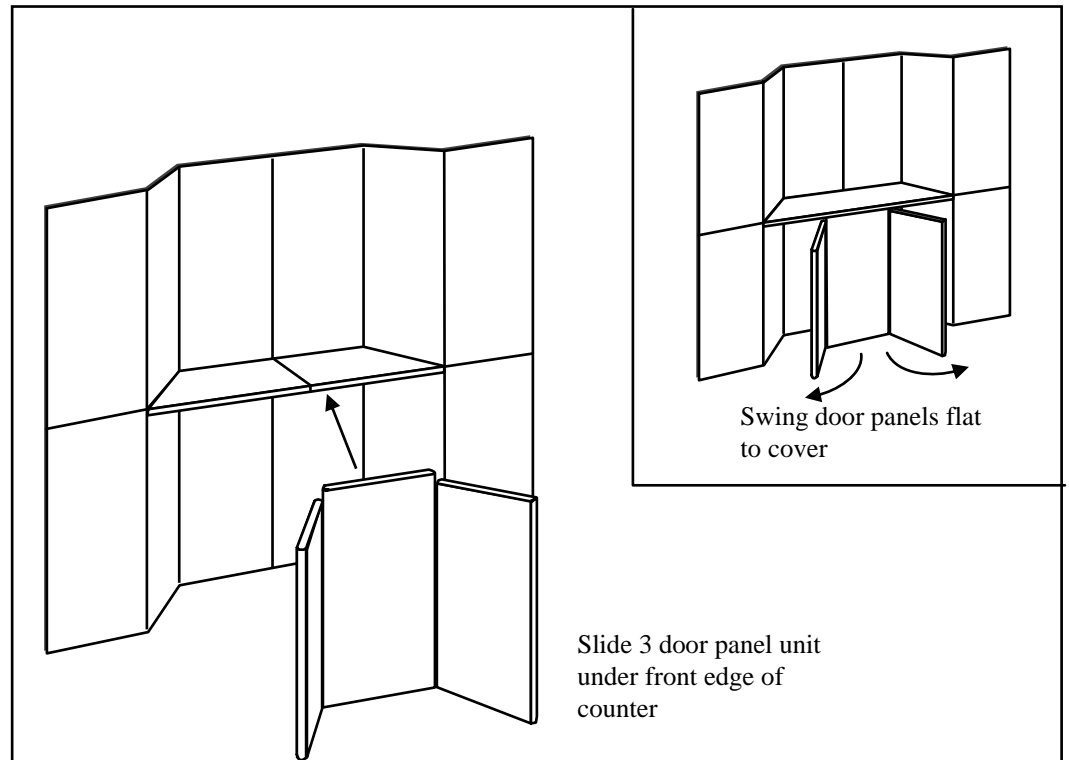


Built In Counter with Front Panels Set-up Instructions



1.

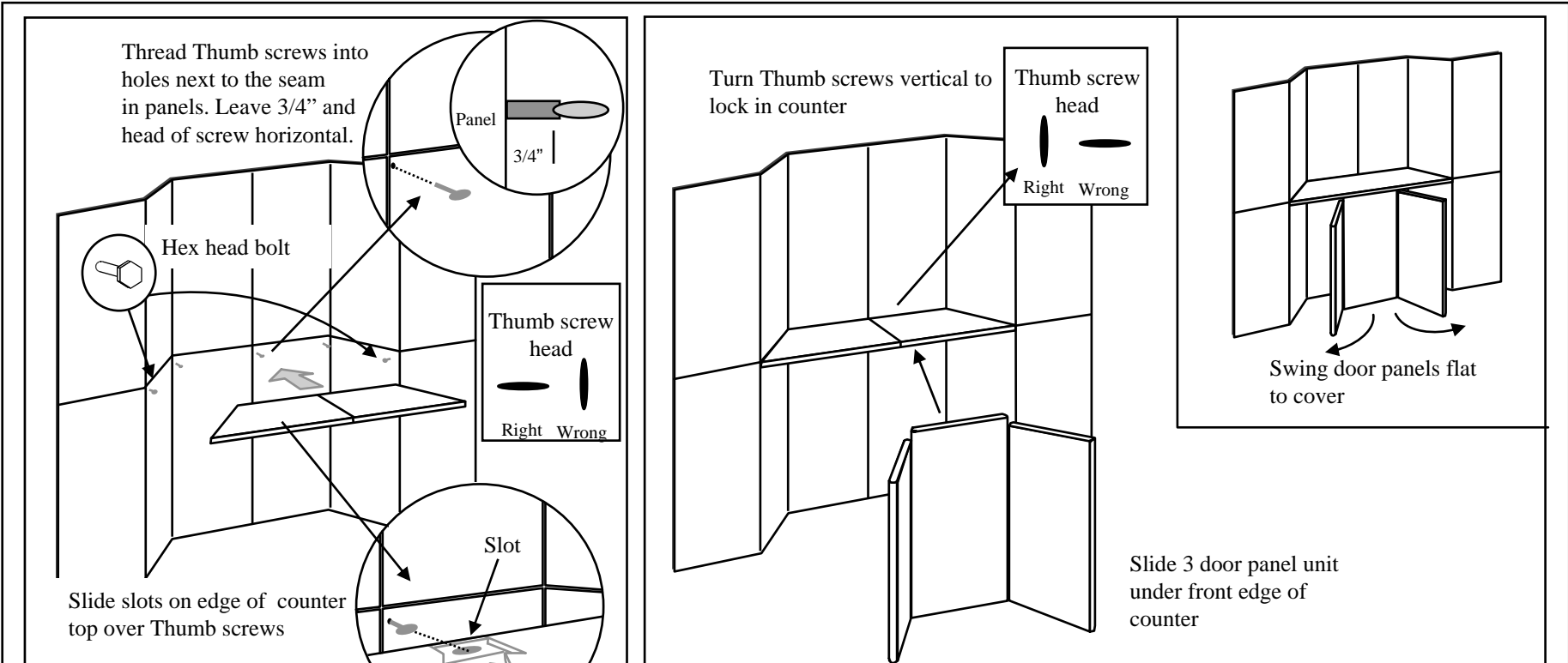
Slide the 4 counter supports onto the edge of the frames of the display wall as shown in diagram. Slide counter top into place over supports.



2.

Slide the 3 front panels under front edge of counter. The middle panel slipping into the cut out channel on the bottom front edge of the counter top. Swing shorter door panels flat to cover.

70" Built In Counter with Front Panels Set-up Instructions



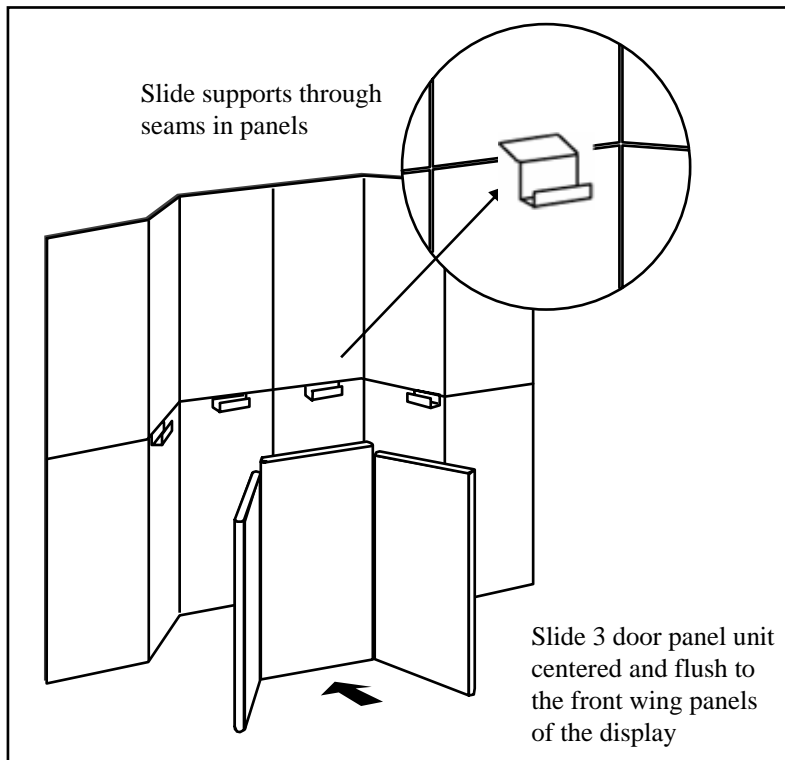
1.

Thread 3 Thumb screws and 2 Hex bolts as in diagram into holes next to seams in panels leaving 3/4" of thread on bolt showing and Thumb screw heads horizontal. Slide slots on the edge of counter top over Thumb screws and rest front edge on Hex bolts.

2.

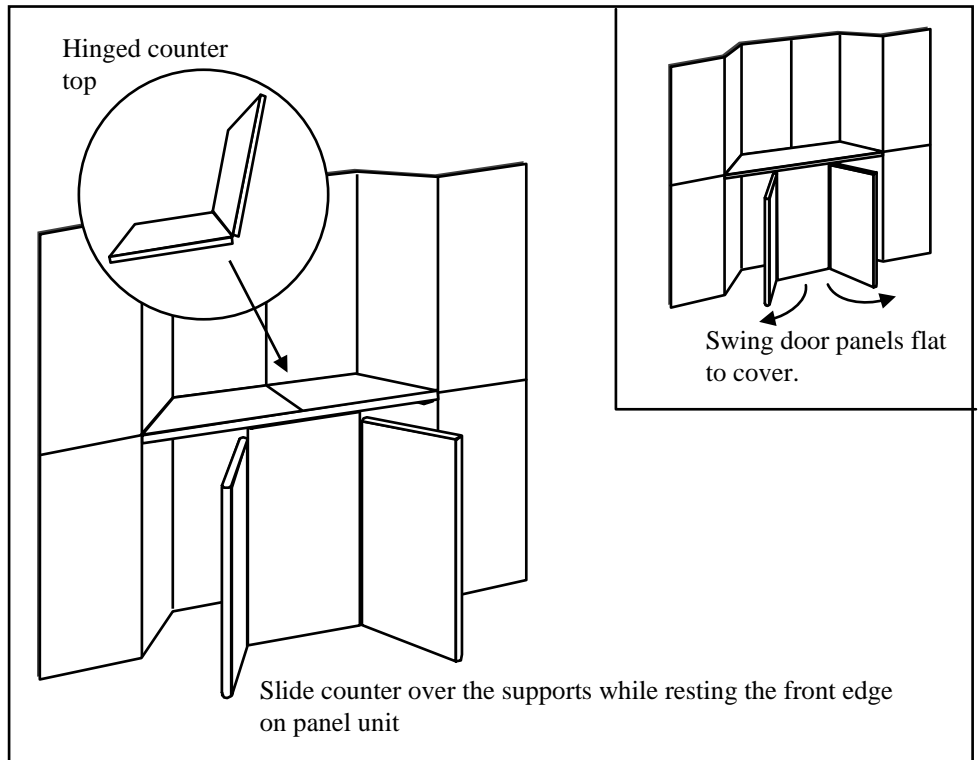
Turn Thumb screws vertical to lock counter top in place. Slide the 3 front panels under front edge of counter. The middle panel slipping into the cut out channel on the bottom front edge of the counter top. Swing shorter door panels flat to cover.

Built In Counter with Front Panels Set-up Instructions



1.

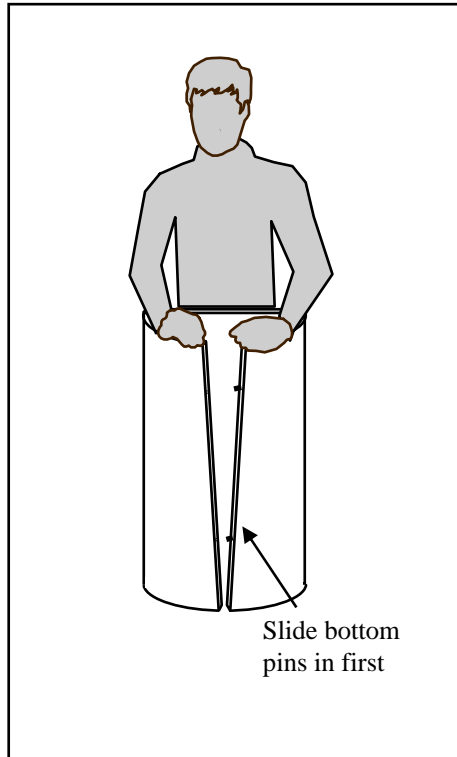
Slide the 4 counter supports through center seams of display wall as shown in diagram. Slide 3 panel unit flush and centered to front wing panels of display.



2.

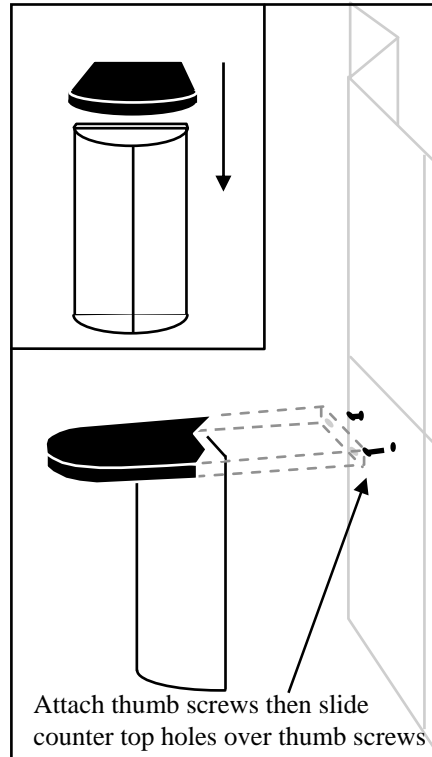
Slide hinged counter top into supports and resting the front edge on the panel unit. The middle panel slipping into the cut out channel on the bottom front edge of the counter top. Swing shorter door panels flat to cover.

Peninsula Set-up Instructions



1.

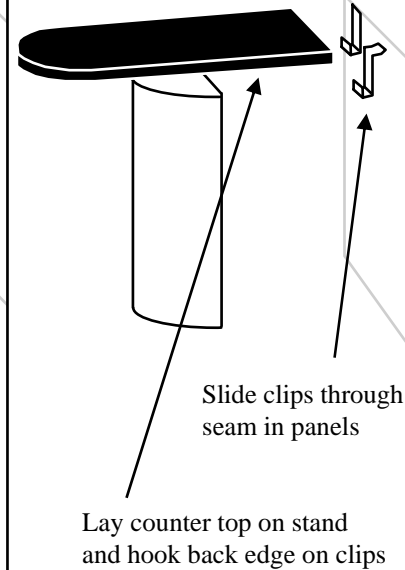
Place bottom section on the floor and from the rear connect the flexible panels by guiding the pins into the receiving holes (align bottom hole then top).



2.

Screw thumb screws part way into holes in the display wall. Then set counter top on stand and slide over the thumb screws into hole cut outs on back edge of counter top. Tighten screws.

OPTIONAL CLIPS



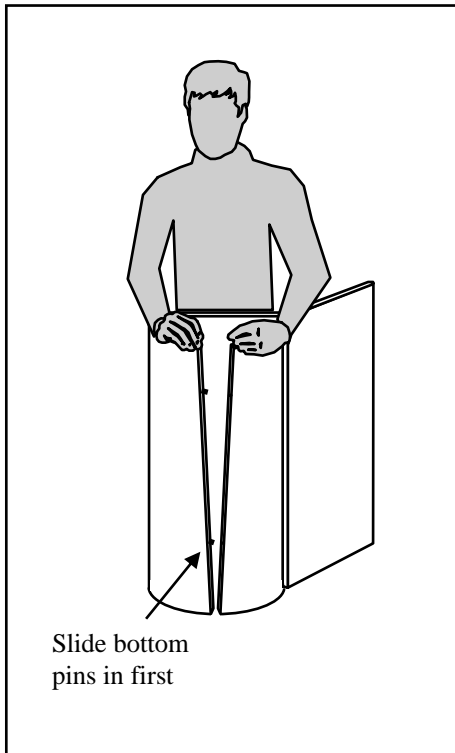
OPTIONAL CLIPS

Attach two clips through seam in display wall. Lay counter top on stand and hook back edge on the clips.

3.

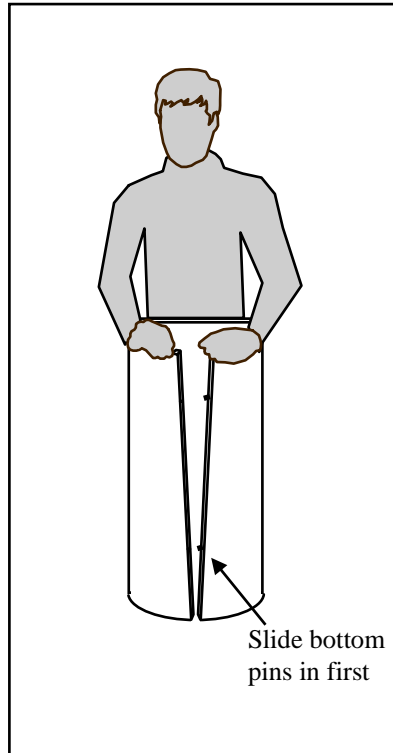
Adjust stand to fit into channel on bottom of counter top.

Curved Counter Set-up Instructions



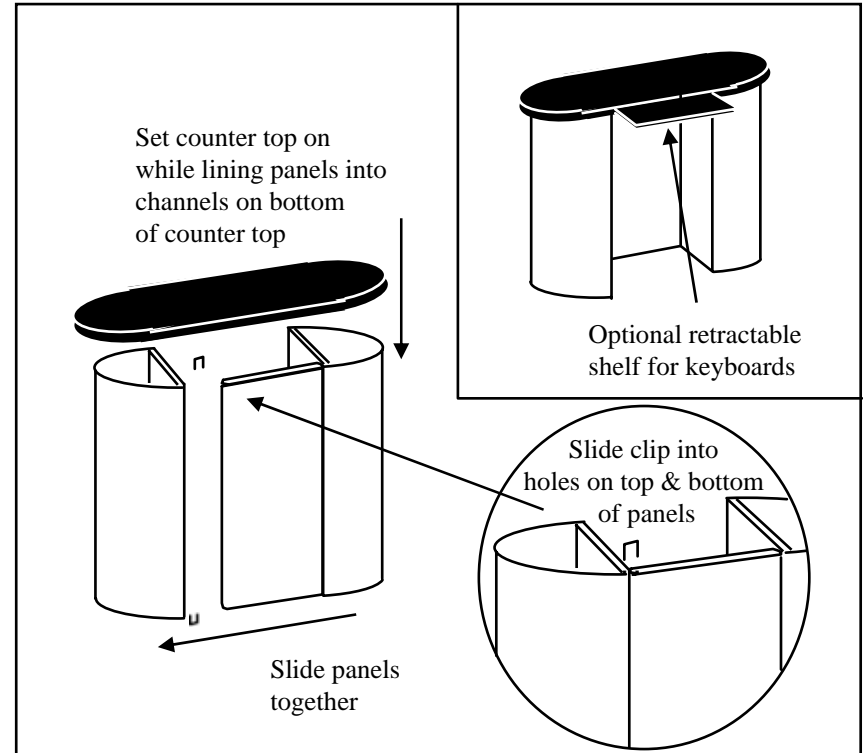
1.

Stand section with wing panel on the floor and from the rear connect the flexible panels by guiding the pins into the receiving holes (align bottom hole then top).



2.

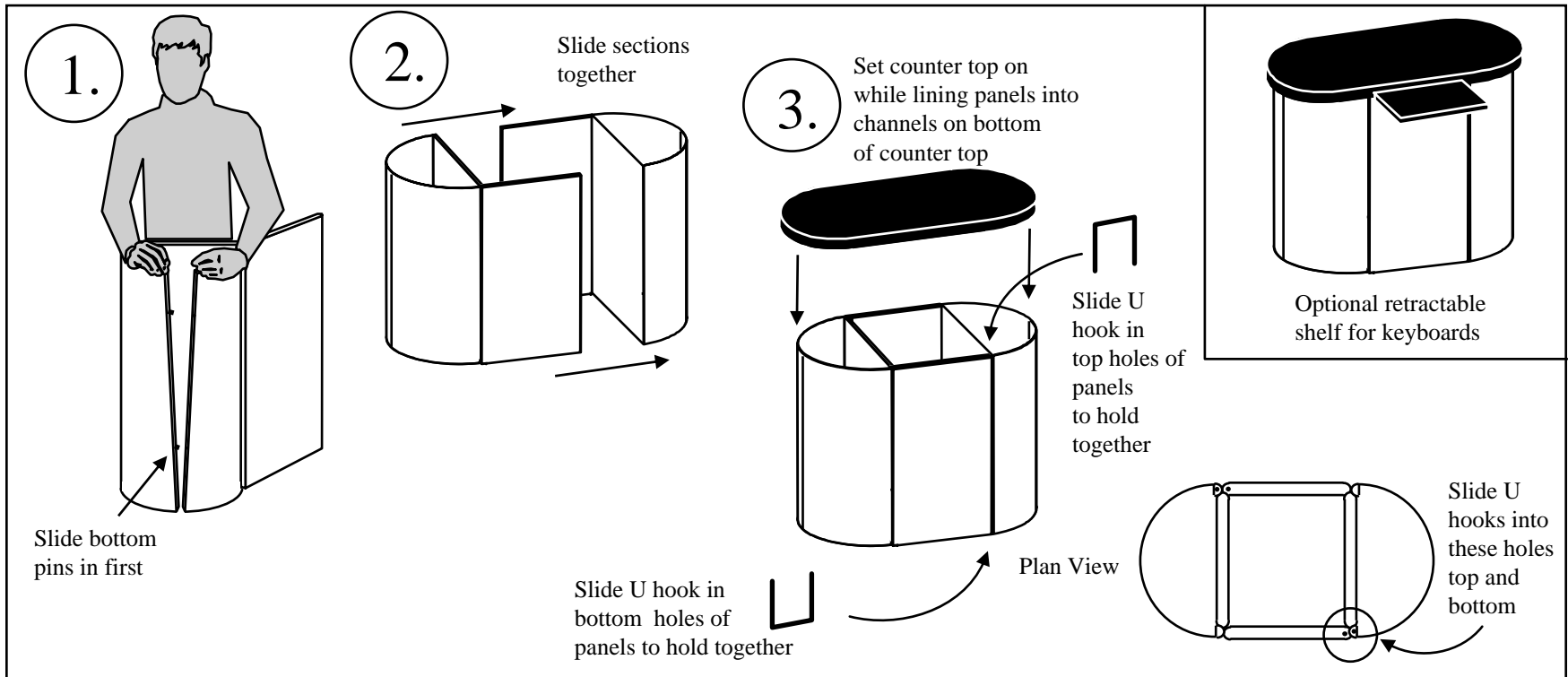
Repeat step one with panel section without wing panel.



3.

Slide panel sections together. Slide U shaped clip into holes on top & bottom of panels to hold together. Then lay counter top on panels. Adjust counter top by lining panels into channels on bottom of counter top. Use hinged panel tie to further stiffen unit if needed.

Curved Counter (fully enclosed) Set-up Instructions



1.

Stand section with wing panel on the floor and from the rear connect the flexible panels by guiding the pins into the receiving holes (align bottom hole then top).

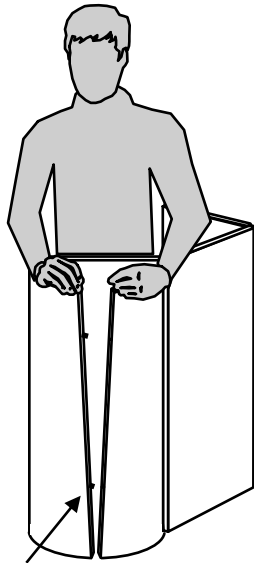
2.

Repeat step one with second set of panels and then slide sections together.

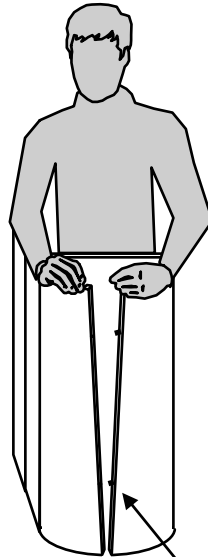
3.

Slide U shaped hooks into holes as shown, top and bottom to hold unit together. Then lay the counter top on panels. Adjust counter top by lining panels into channels on the bottom of counter top.

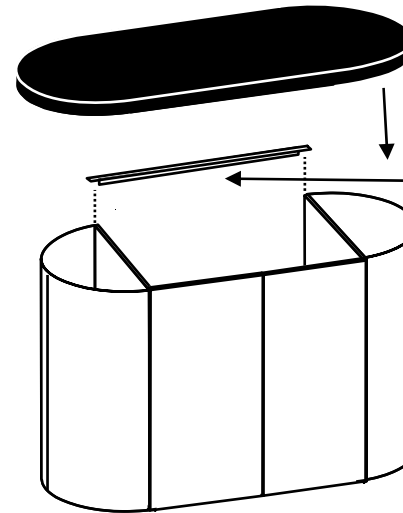
Curved Counter Set-up Instructions



Slide bottom pins in first



Slide bottom pins in first



Set counter top on while lining panels into channels on bottom of counter top

Set the channel bar on by sliding the pins into the holes on top of the panels

1.

Stand panel sections on the floor and from the rear connect the flexible panels by guiding the pins into the receiving holes (align bottom hole then top).

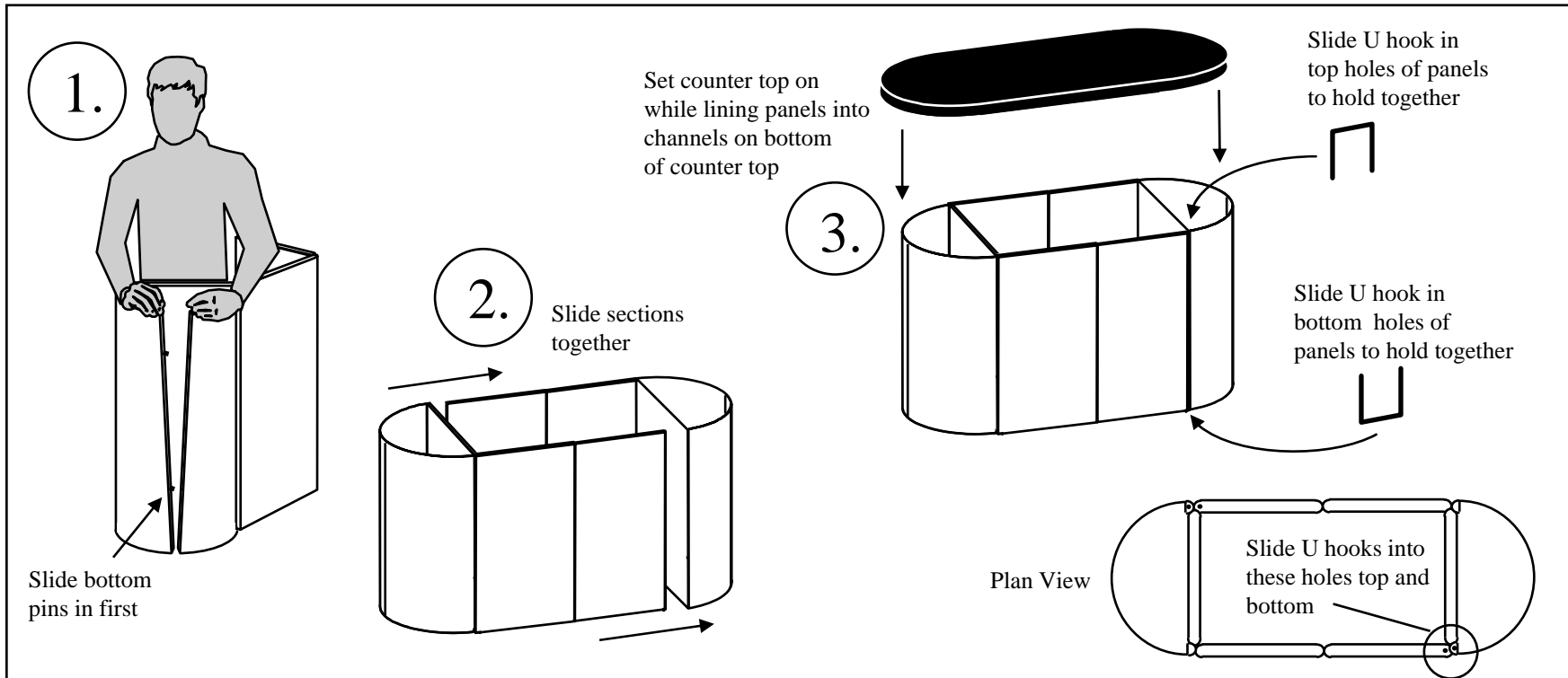
2.

Repeat step one with flexible panels on opposite end.

3.

Add the channel bar between the side panels by sliding the pins on each end of the bar into the holes on top. Lay the counter top on panels. Adjust counter top by lining panels into channels on bottom of counter top.

Curved Counter (fully enclosed) Set-up Instructions



1.

Stand panel sections on the floor and from the rear connect the flexible panels by guiding the pins into the receiving holes (align bottom hole then top).

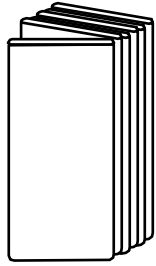
2.

Repeat step one with second set of panels and then slide sections together.

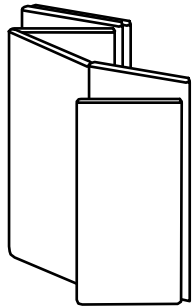
3.

Slide U shaped hooks into holes as shown, top and bottom to hold unit together. Then lay the counter top on panels. Adjust counter top by lining panels into channels on the bottom of counter top.

6 Panel Counter Set-up Instructions

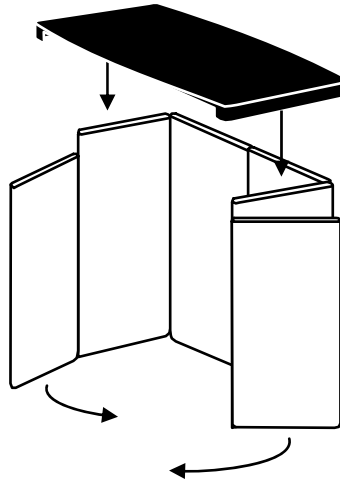


Stand panels up

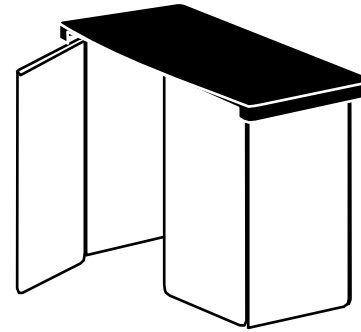


Configure panels into 4-sided box

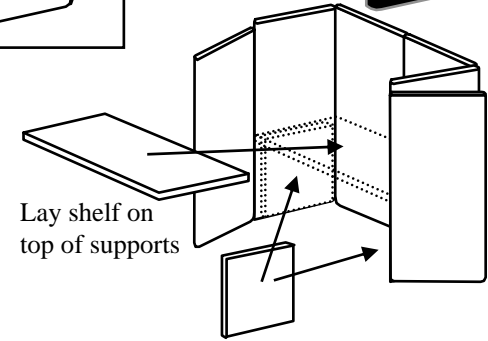
Set counter top on top of panels with cut out side to the back, while lining panels into channels on bottom of counter top



Swing shorter cut panels meet in back and are used as doors



Optional shelf



Lay shelf on top of supports

Install support on left & right sides

1.

Stand panels on the floor and open panels into 4-sided box with shorter panels meeting in back.

2.

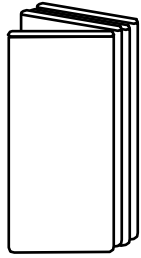
*If shelving unit is included, go to **OPTIONAL SHELF** directions.*

Set counter top on with cut out to the back where panels meet, while lining panels into channels on bottom of counter top.

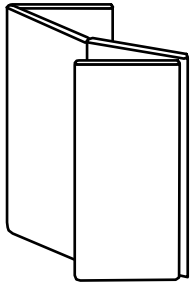
OPTIONAL SHELF

Attach shelf supports to inside of left and right side panels with Velcro sides toward panels. Lay shelf on top of supports. Then set counter top on as shown in instruction 2.

4 Panel Counter Set-up Instructions

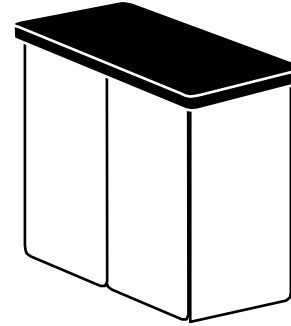
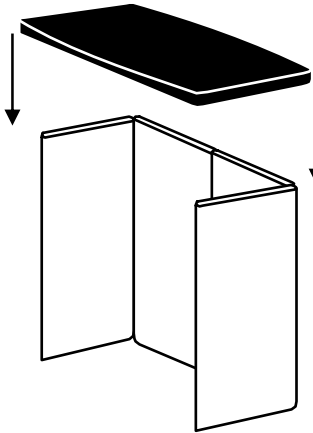


Stand panels up

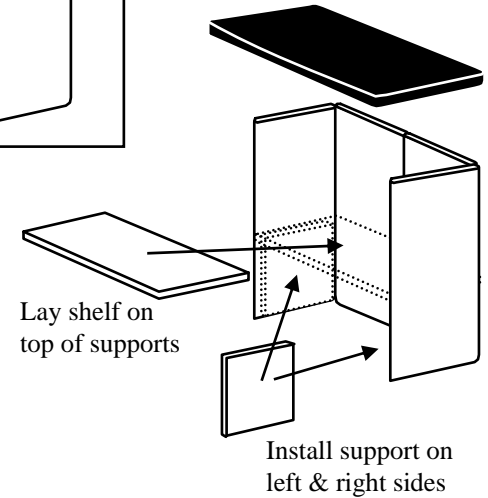


Configure panels into 3-sided U shape

Set counter top on top of panels while lining panels into channels on bottom of counter top



Optional Shelf



1.

Stand panels on the floor and open panels into 3-sided U shape.

2.

*If shelving unit is included, go to **OPTIONAL SHELF** directions.*

Set counter top on top of panels while lining panels into channels on bottom of counter top.

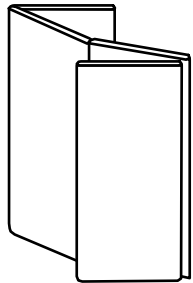
OPTIONAL SHELF

Attach shelf supports to inside of left and right side panels with Velcro sides toward panels. Lay shelf on top of supports. Then set counter top on as shown in instruction 2.

4 Panel Pedestal Set-up Instructions



Stand panels up

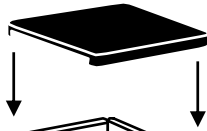


Configure panels into 4-sided box

1.

Stand panels on the floor and open panels into 4-sided box

Set counter top on top of panels while lining panels into channels on bottom of counter top

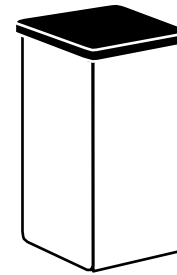


Swing shorter cut panel in back and use as door

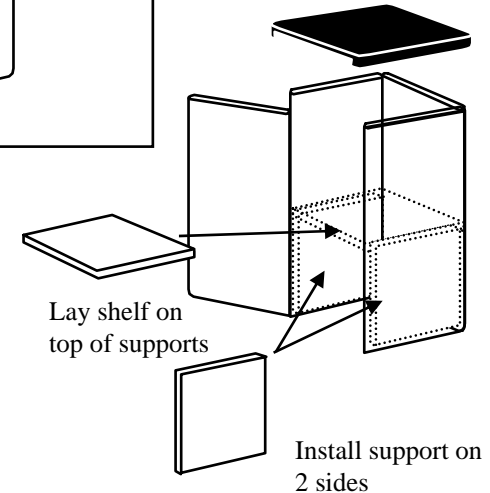
2.

*If shelving unit is included, go to **OPTIONAL SHELF** directions.*

Set counter top on with cut out to the back where panels meet, while lining panels into channels on bottom of counter top.



Optional Shelf



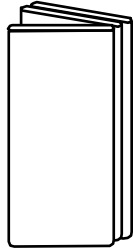
Lay shelf on top of supports

Install support on 2 sides

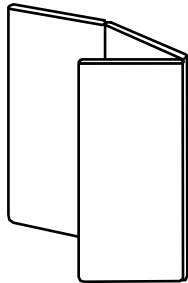
OPTIONAL SHELF

Attach shelf supports to inside of left and right side panels with Velcro sides toward panels. Lay shelf on top of supports. Then set counter top on as shown in instruction 2.

3 Panel Pedestal Set-up Instructions



Stand panels up



Configure panels into 3-sided U shape

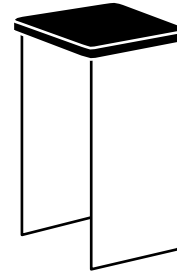
1.

Stand panels on the floor and open panels into 3-sided U shape.

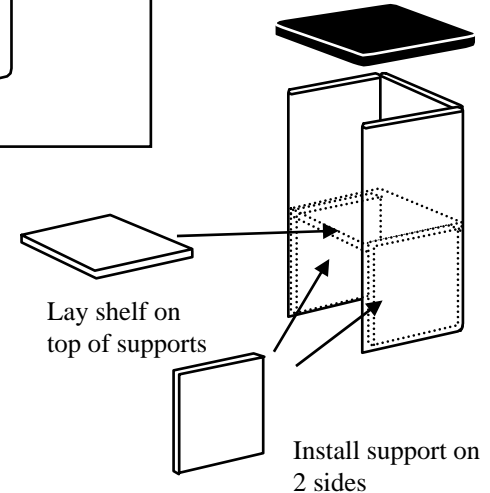
2.

*If shelving unit is included, go to **OPTIONAL SHELF** directions.*

Set counter top on while lining panels into channels on bottom of counter top.



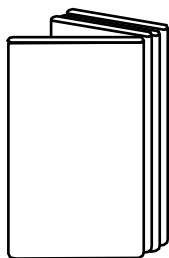
Optional Shelf



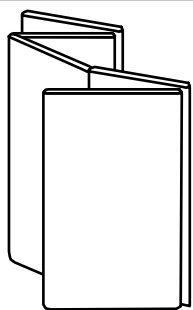
OPTIONAL SHELF

Attach shelf supports to inside of left and right side panels with Velcro sides toward panels. Lay shelf on top of supports. Then set counter top on as shown in instruction 2.

Backwall Counter for Pop-up Displays Set-up Instructions

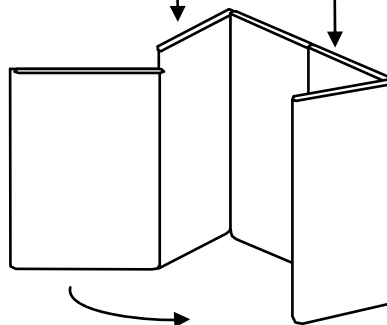


Stand panels up

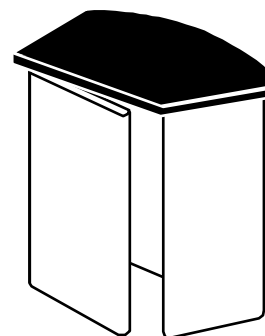


Configure panels into 4 sides with larger panel in front

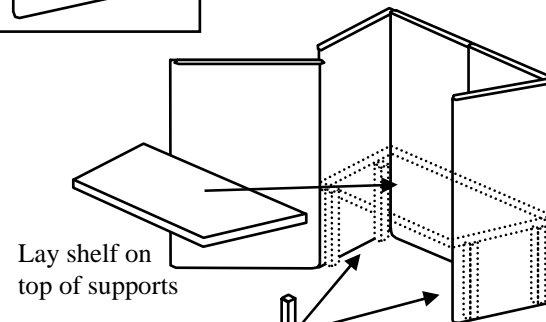
Set counter top on top of panels, while lining panels into channels on bottom of counter top



Larger shorter cut panel in front is used as a door



Optional Shelf



Lay shelf on top of supports

Install 4 supports--2 on each side panel

1.

Stand panels on the floor and open panels into 4-sided box with larger panel in front and swinging to left.

2.

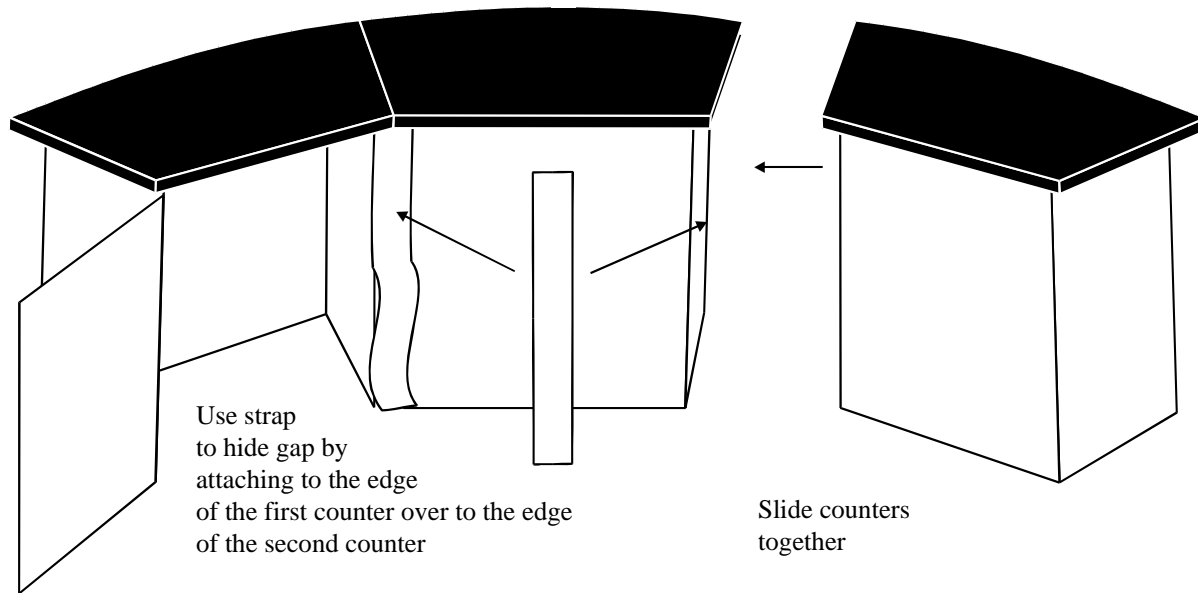
*If shelving unit is included, go to **OPTIONAL SHELF** directions.*

Set counter top on with flat side to the front (The side where the larger panel swings open). Line panels into channels on bottom of counter top.

OPTIONAL SHELF

Attach shelf supports to inside of left and right side panels with Velcro sides toward panels. Lay shelf on top of supports. Then set counter top on as shown in instruction 2.

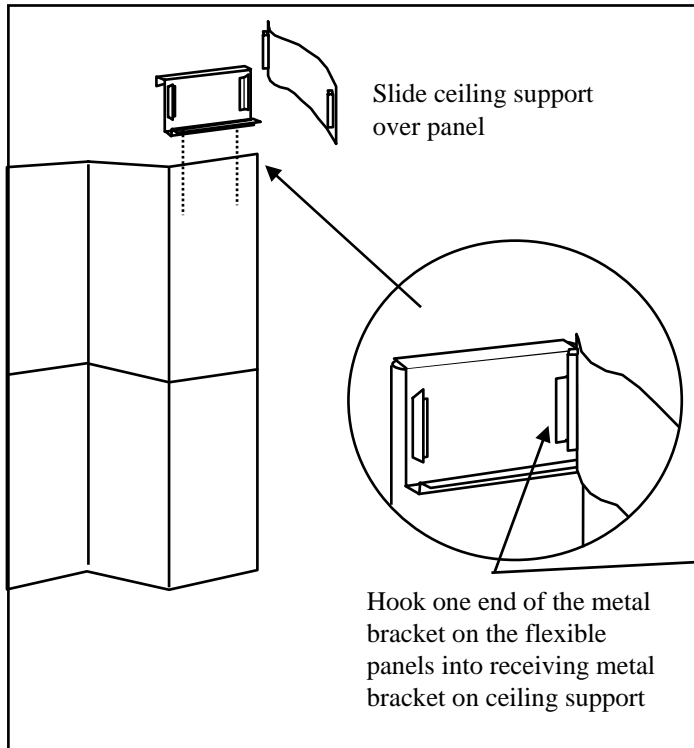
Multi Backwall Counter for Pop-up Display Set-up Instructions



1.

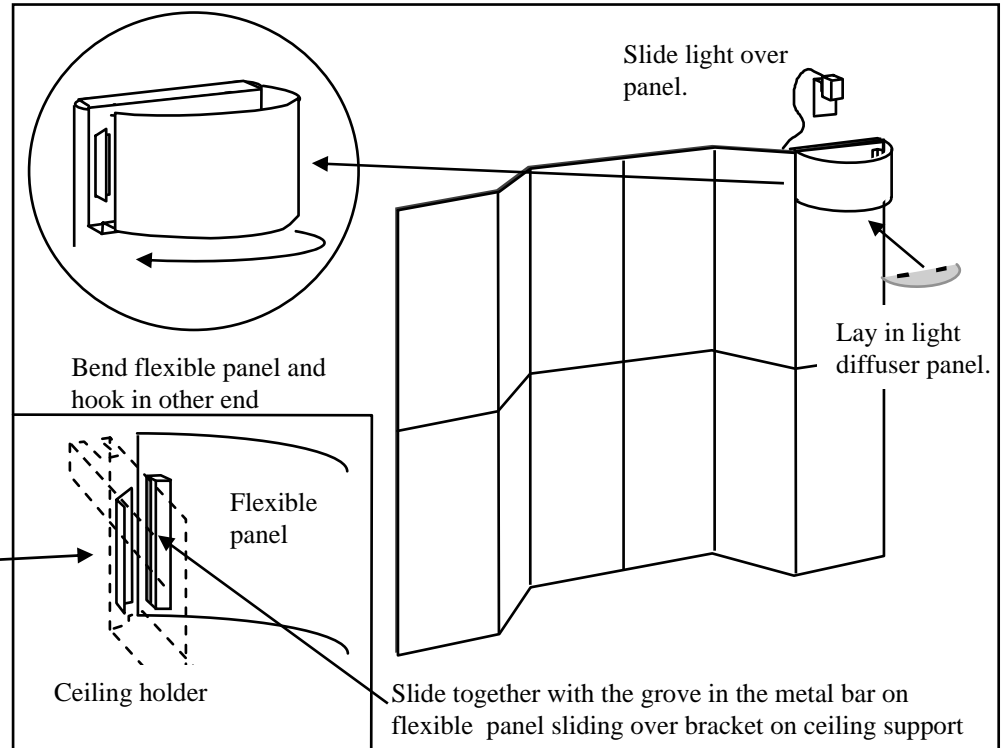
Slide counters together so that the counter tops are flush. Then attach strap to hid gap by attaching to the edge of the first counter over to the edge of the second counter. Smooth out down to the floor.

Curved Recessed Light Fixture Set-up Instructions



1.

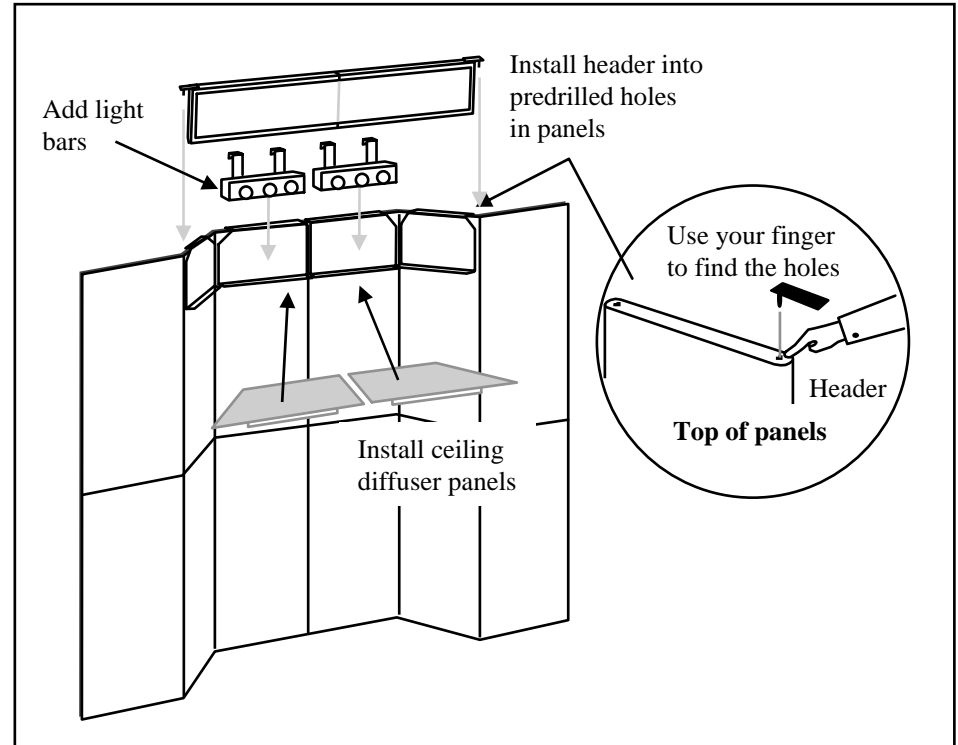
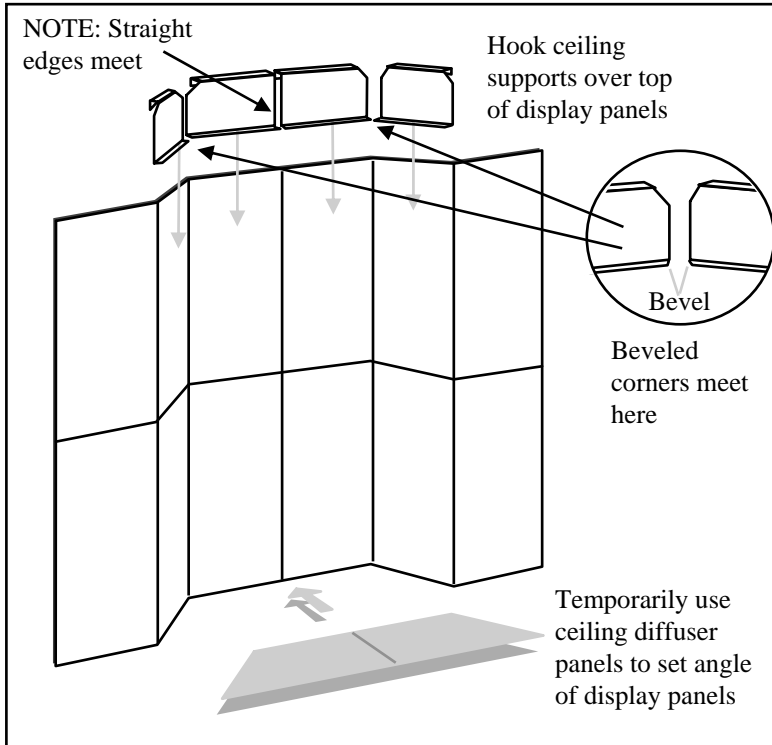
Slide ceiling support over panel. Then hook flexible panel into metal bracket on front of the ceiling support. Make sure brackets on the ceiling support slide into groove cut into bar on flexible panel.



2.

Bend flexible panel and hook in other end. Slide light over back panel. Then lay in light diffuser panel by sliding radius end up first then hooking back straight edge with clip into channel of ceiling holder.

70" Backlit Header Set-up Instructions



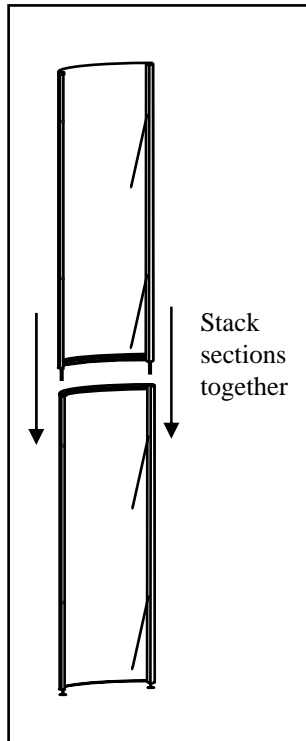
1.

Temporarily set ceiling diffuser panels on floor in front of display to use as a guide for setting display walls to appropriate angle. Next hook ceiling supports over top of display panels. NOTE: Make sure beveled aluminum channels on supports and straight edge of supports meet as shown.

2.

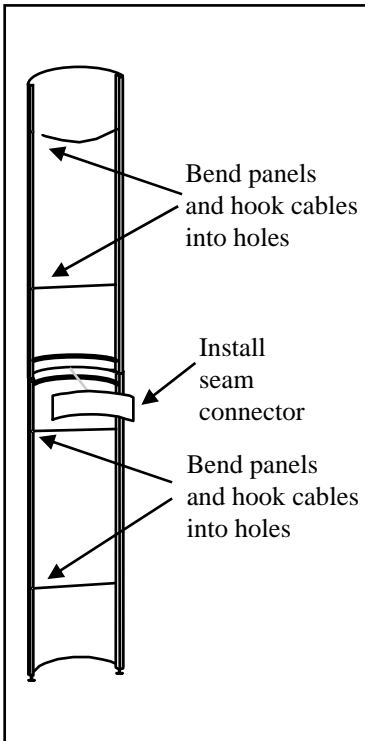
Hang light bars over the ceiling supports, screw in light bulbs and let the cords hang over the back of the display. Then install header by inserting header pins into pre-drilled holes in panel tops (Use your finger to find holes). Install ceiling diffuser panels into bottom channels of header and ceiling supports.

Detachable Panel Curve Set-up Instructions



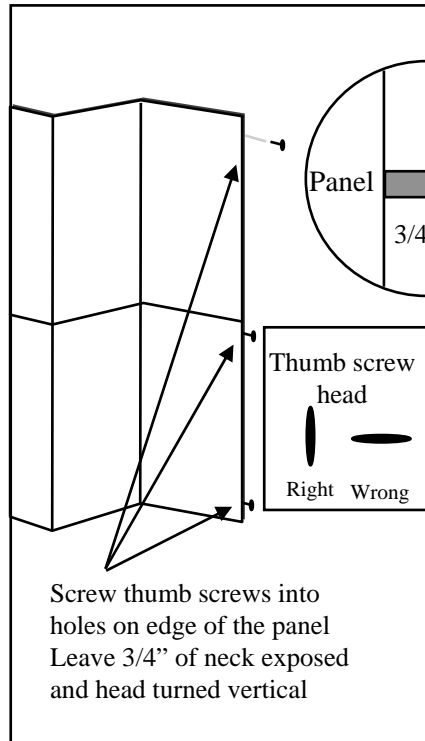
1.

Stack panel units together by sliding unit with pegs into top of unit with adjustable feet.



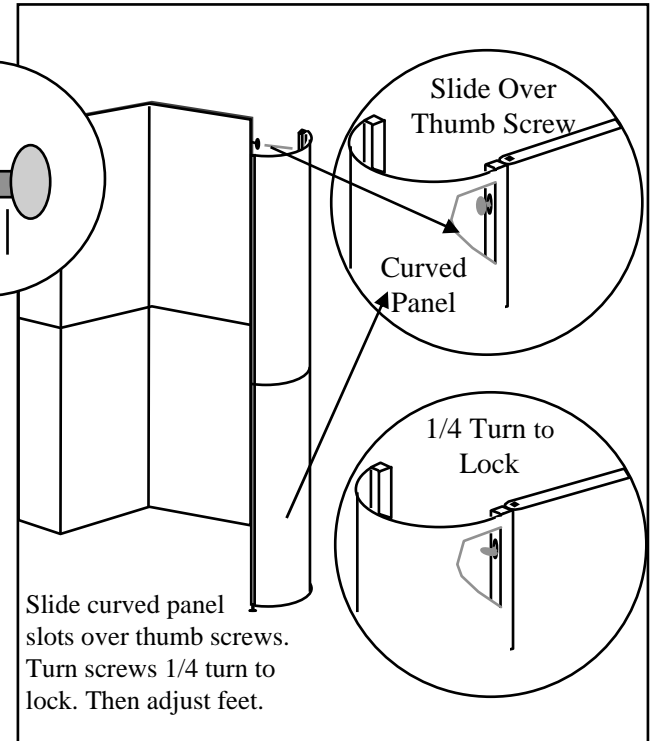
2.

Bend panel unit while hooking cables into key holes on other side of panels. Next cover seam with connector.



3.

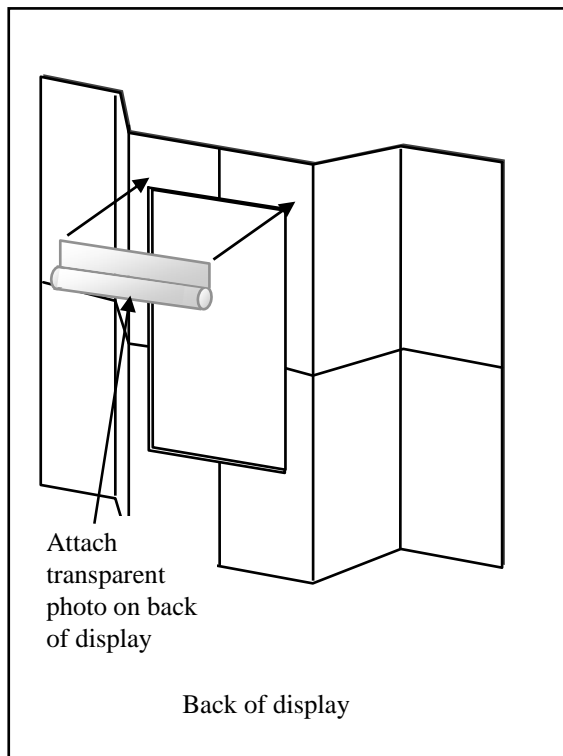
Screw three thumb screws into holes on the edge of the panel. Leave approx. 3/4" of the neck exposed and the head of the screw vertical.



4.

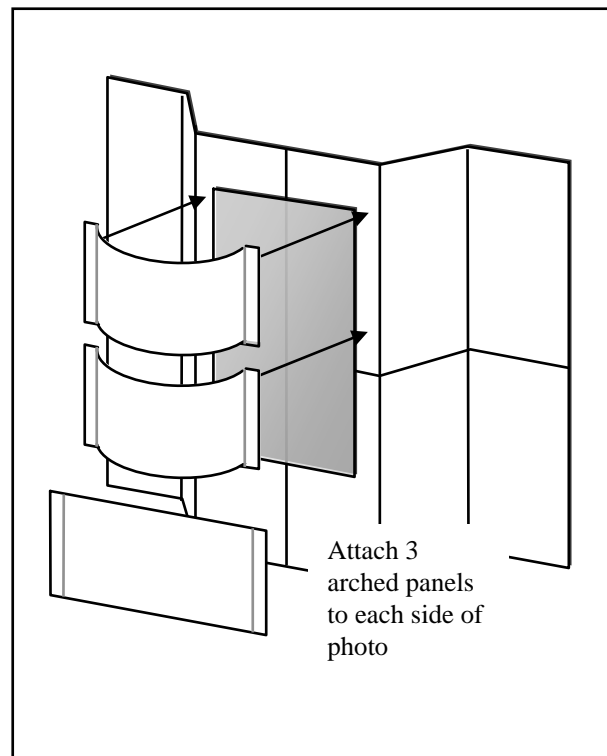
Slide oval cut outs on frame of curved panel over thumb screws. Turn screws 1/4 turn to lock curved panel on display. Adjust feet on curved panel to level.

3' x 5' Light Box Set-up Instructions



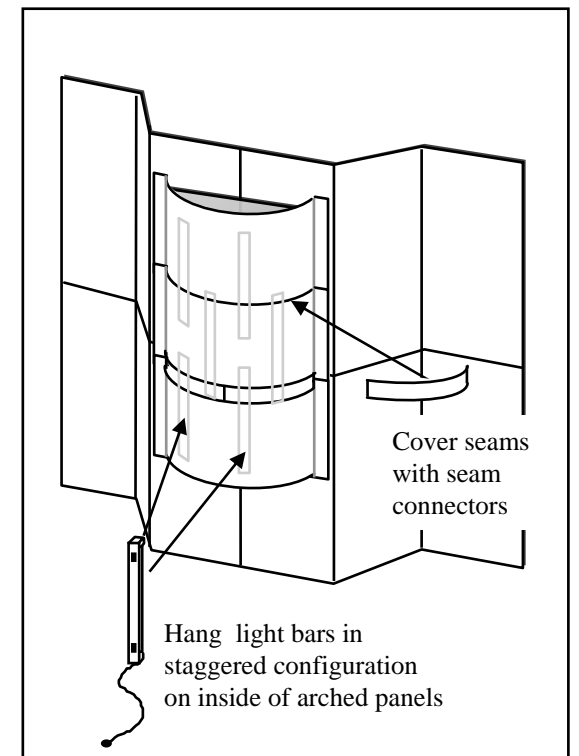
1.

After display is set in desired configuration attach transparent photo (Using Velcro that is attached to photo) to back of display opening photo side facing out.



2.

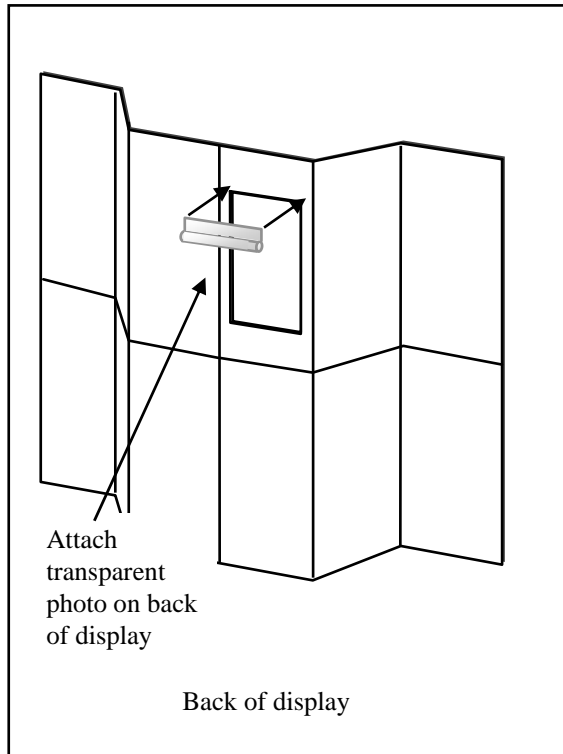
Attach 3 panels to the display panels on each side of mural causing panels to arch (Each panel has a hinge on each end with Velcro hook that will attach to the display).



3.

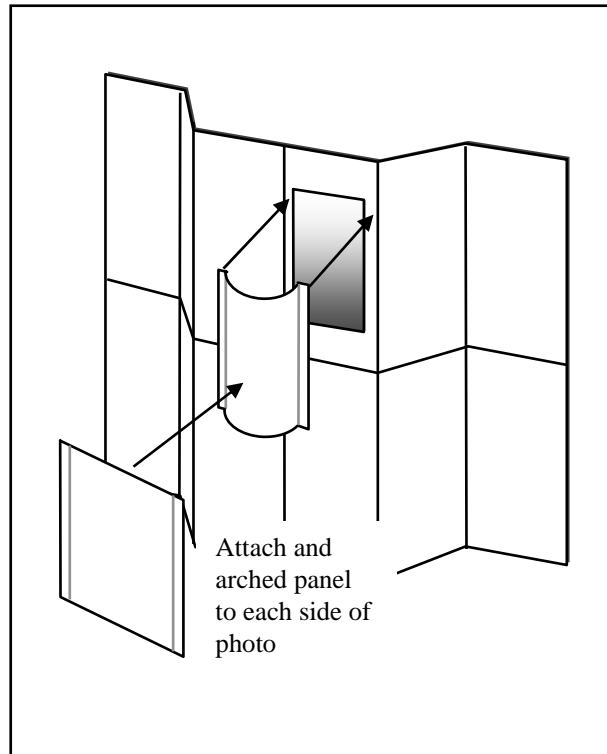
Attach seam connectors to seams. Coming from under arched panels hang 6 light bars in staggered configuration to inside of arched panels.

Flex Light Box Set-up Instructions



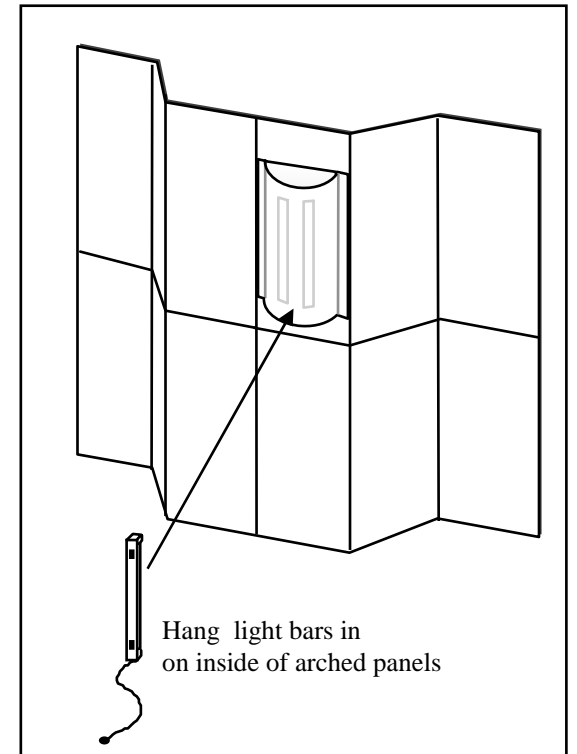
1.

After display is set in desired configuration attach transparent photo (Using Velcro that is attached to photo) to back of display opening photo side facing out.



2.

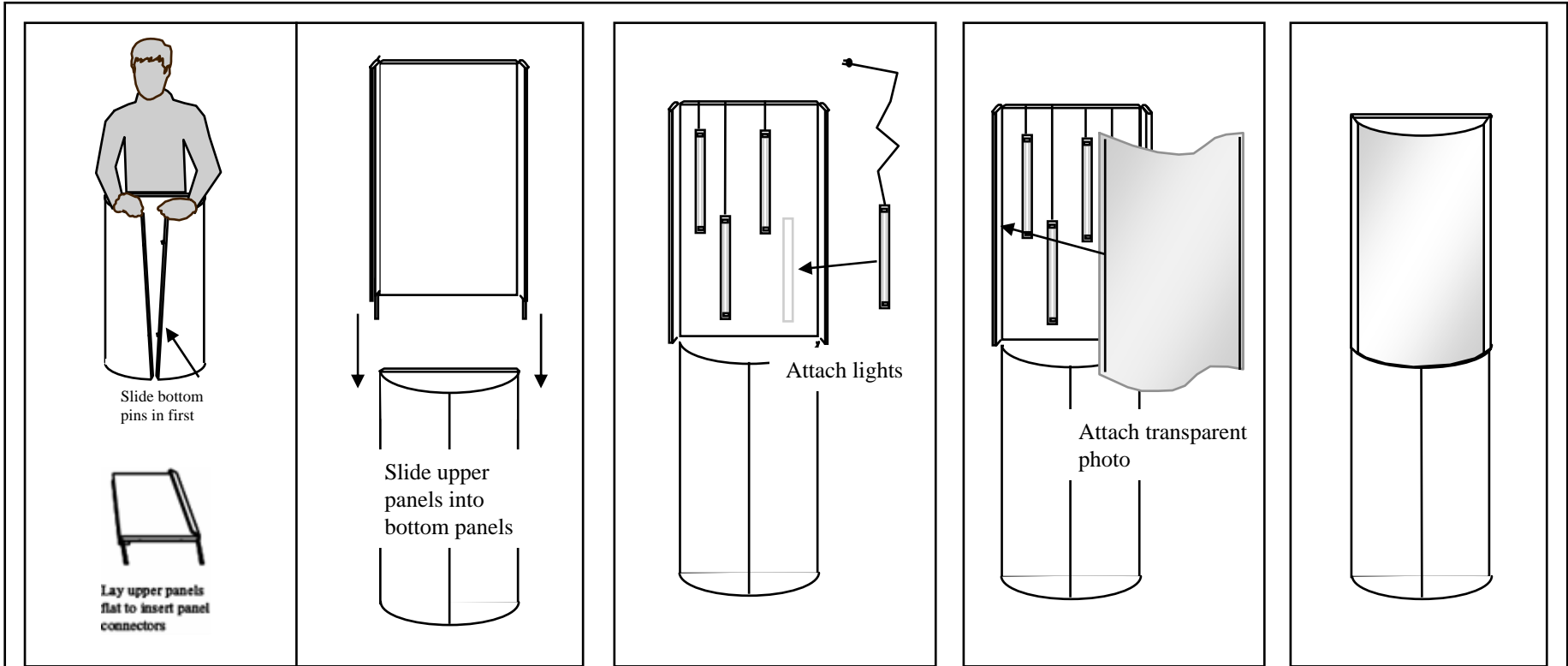
Attach panel to the display panels on each side of mural causing panels to arch (Each panel has a hinge on each end with Velcro hook that will attach to the display).



3.

Coming from under arched panel attached 2 light bars to inside of arched panels.

Tower Light Box Set-up Instructions



1.

Place bottom section on the floor and from the rear connect the flexible panels by guiding the pins into the receiving holes (align bottom hole then top). Then lay top panels flat and insert metal channel connectors. Then guide top panels into bottom panels.

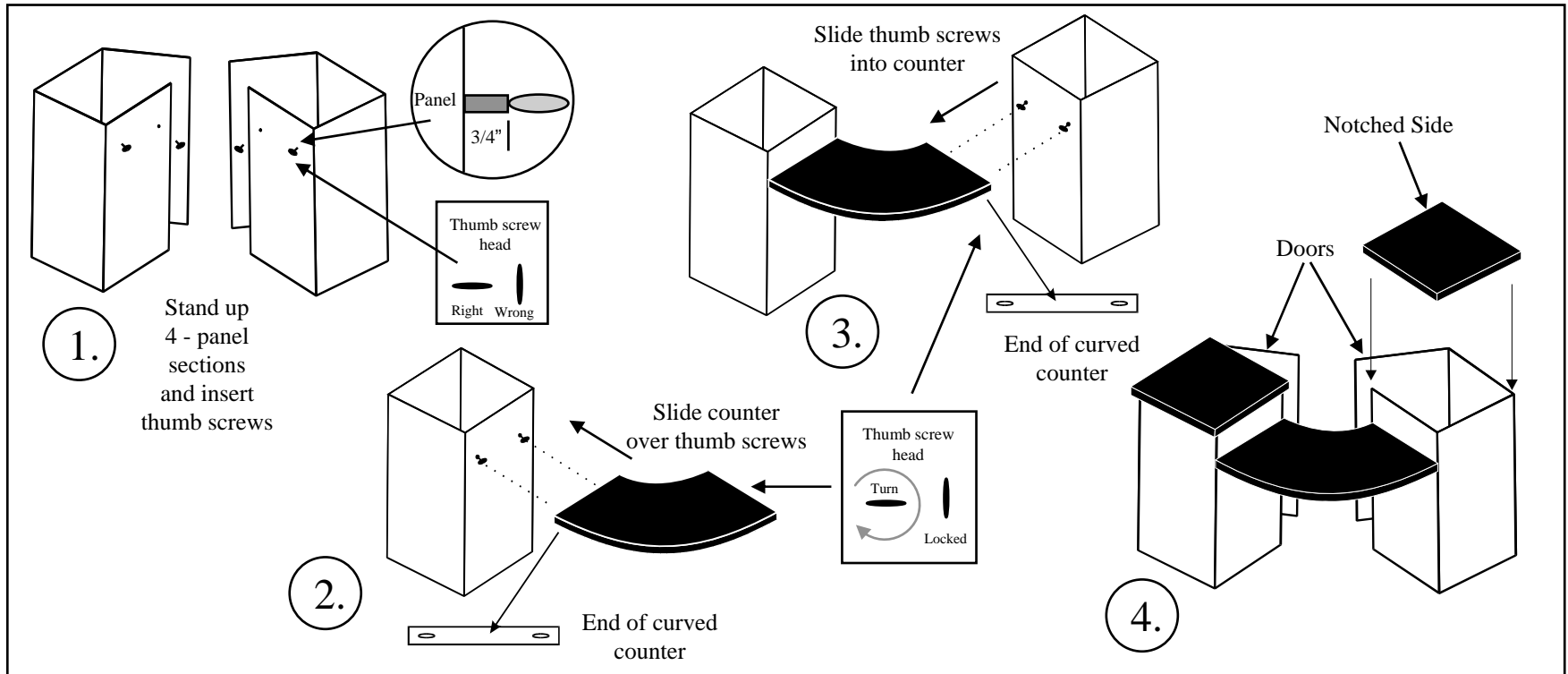
2.

Add lights in staggered configuration

3.

Attach left side of transparent photo with attached Velcro (Velcro side facing out) to inside of left small wing panel. Then while arching panel attach right side to inside of right wing panel.

Double Pedestal with Curved Counter Set-up Instructions



1.

Stand two 4-panel sections up and insert thumb bolts into panel with threaded holes on each section. Thumb screw heads should be horizontal and 3/4" of the neck showing.

2.

Slide cut outs on end of curved counter over thumb screws on one of the panel sections. Turn thumb screws vertical to lock counter on.

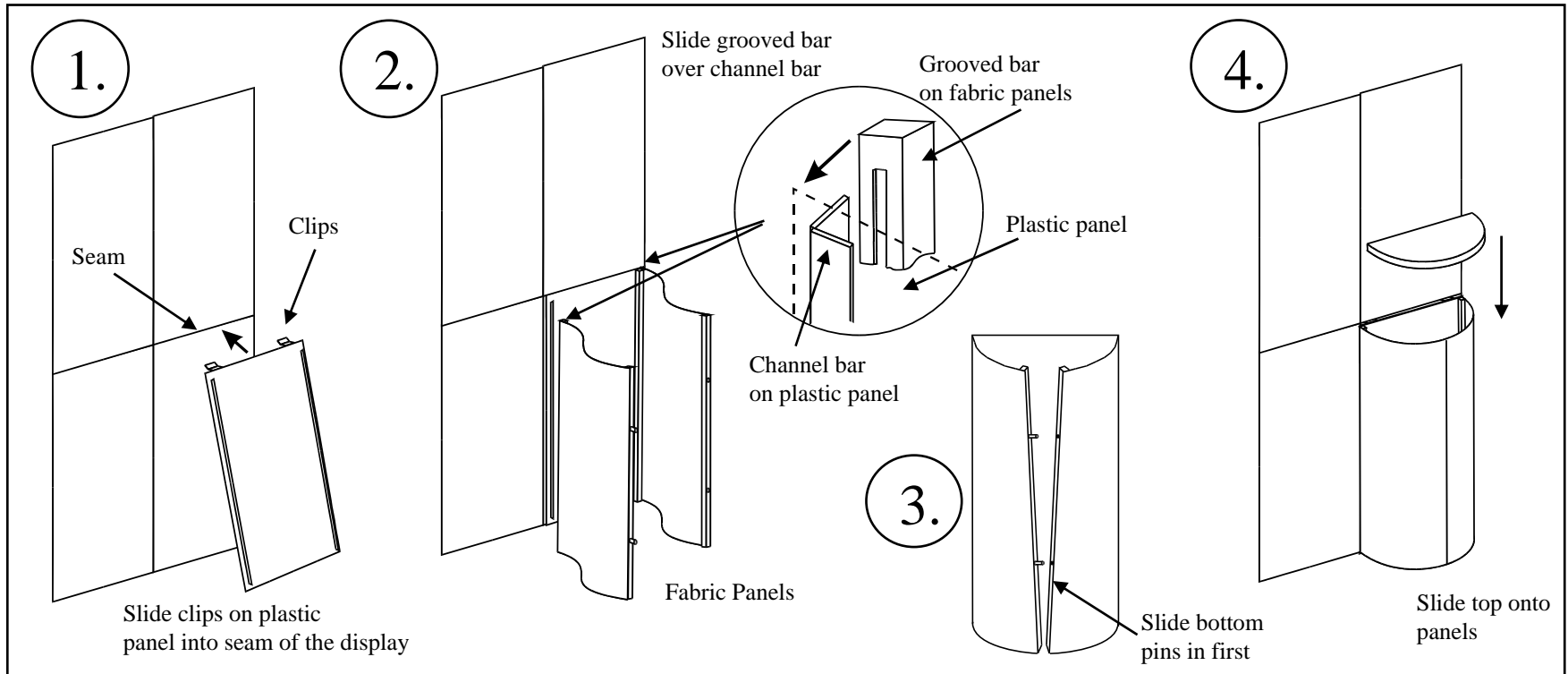
3.

Slide the second panel sections over to the end of the counter that is attached. Slide thumb screws through cut outs on end of counter and turn vertical to lock.

4.

Attach square counters on top of panel sections. notched side towards the inside of the curve.

Detachable Curved Pedestal Set-up Instructions



1.

Slide clips on back of plastic panel through seam in center of display wall by tipping plastic panel back and sliding clips through.

2.

Attach fabric covered panels by sliding the groove on the attached bars over the channel bar on the plastic panel already attached to display wall.

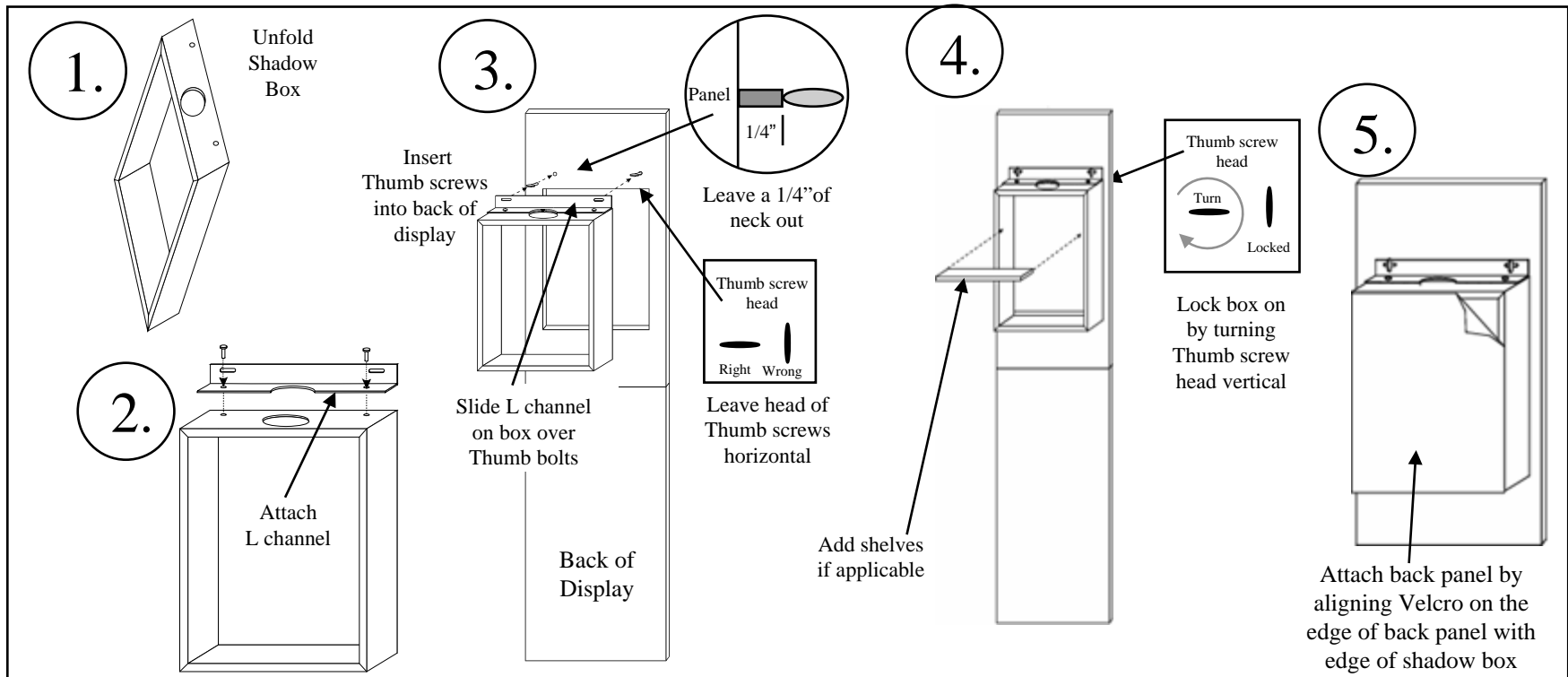
3.

Close the front of the panels by sliding pins on one panel into receiving holes in the other panel. NOTE: Start with the bottom pin.

4.

Slide top onto panels.

Shadow Box Set-up Instructions



1.

Unfold Shadow box.

2.

Attach L channel to box with bolts. Align the notch on the L channel to the hole on the box.

3.

Screw 2 thumb screws into holes on back of display panel above cut out. Leave 1/4" of neck and the head horizontal. Slide oblong holes on L channel over thumb screws

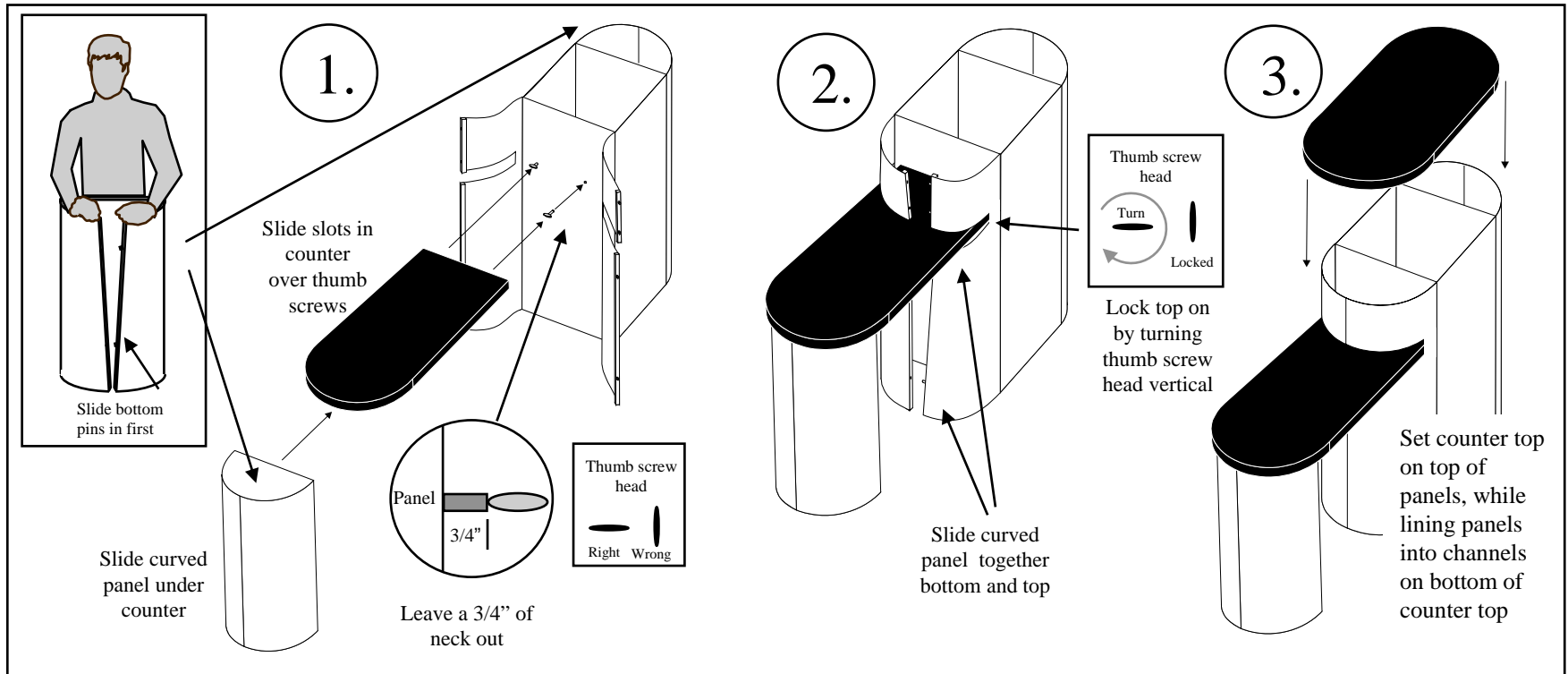
4.

Lock Shadow box onto display by turning thumb screws heads vertical. Add shelves if applicable.

5.

Attach back panel by aligning the Velcro on the edge of the back panel to the edge of the shadow box.

Peninsula Add On Set-up Instructions



1.

Stand and align 4-panel section with flex panels in a square. From behind, connect the flexible panels by guiding the pins into the receiving holes (align bottom hole then top). Repeat with single panel section with flex panels. Insert thumb screws into panel with threaded holes. Thumb screw heads should be horizontal and 3/4" of the neck showing. Then slide slots in counter over thumb screws. Slide single curved section under counter, aligning into channels on the bottom of counter.

2.

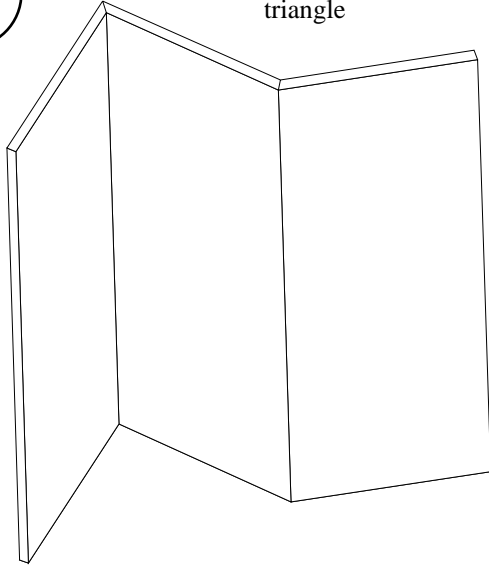
Lock counter top on by turning thumb screws vertical. Then connect the flexible panels around peninsula by guiding the pins into the receiving holes.

3.

Set counter top on main section, while lining panels into channels on bottom of counter top.

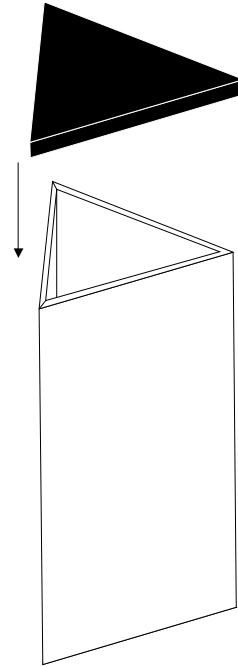
Triangular Panel Pedestal Set-up Instructions

1.



Stand 3 panels up
and configure into
triangle

2.



Set counter top
on panels, while
lining panels into
channels on bottom
of counter top

1.

Stand panels on the floor and configure
panels into 3-sided triangle

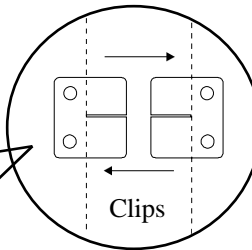
2.

Set counter top on panels, while
lining panels into channels on
bottom of counter top.

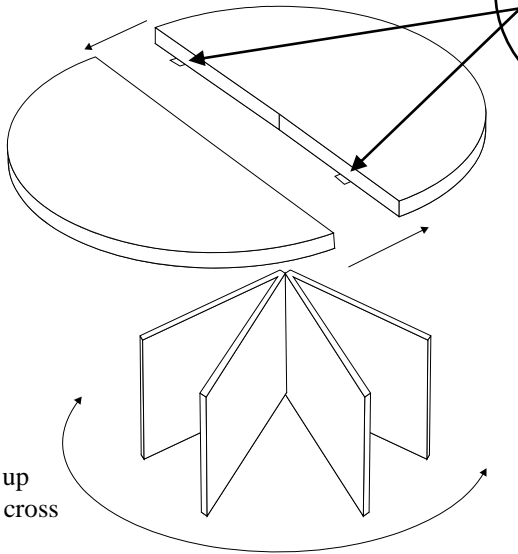
Table Set-up Instructions

1.

Slide half rounds together using attached clips to align and lock together

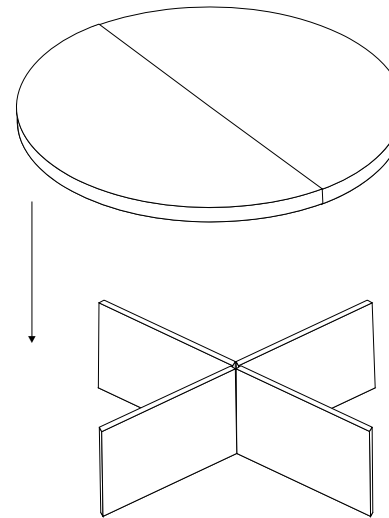


Stand 4 panels up and swing into cross



2.

Set table top on panels, while lining panels into channels on bottom of table top



1.

Stand 4 panels on the floor and swing panels into cross.

Slide half rounds together using attached clips to align and lock together.

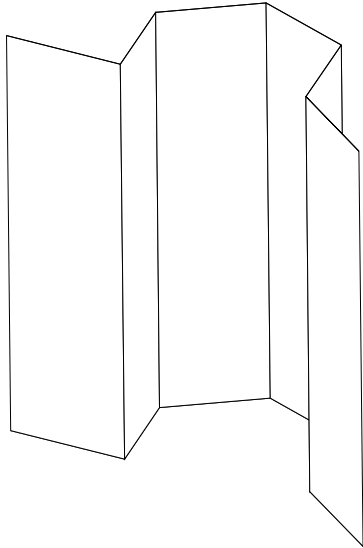
2.

Set table top on panels, while lining panels into channels on bottom of table top.

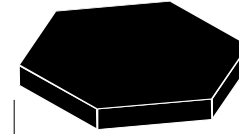
Hexagon Panel Pedestal Set-up Instructions

1.

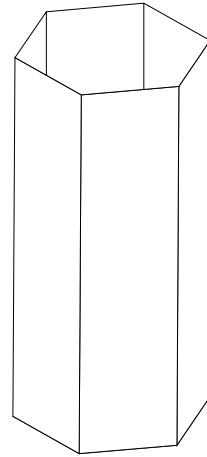
Stand 6 panels up
and configure into
hexagon



2.



Set counter top
on panels, while
lining panels into
channels on bottom
of counter top



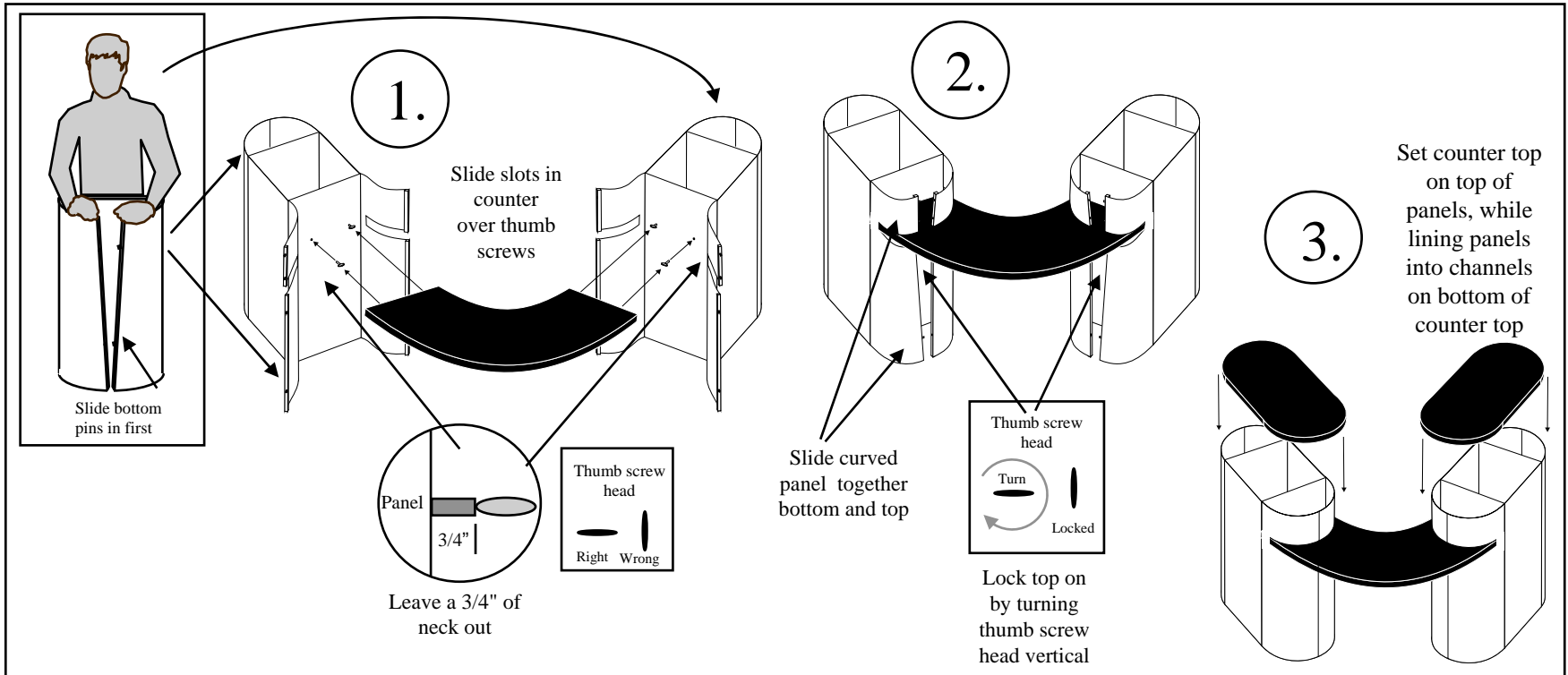
1.

Stand 6 panels on the floor and
configure panels into hexagon

2.

Set counter top on panels, while
lining panels into channels on
bottom of counter top

Curved Counter Connector Set-up Instructions



1.

Stand and align both 4-panel section with flex panels in a square. From behind connect the flexible panels by guiding the pins into the receiving holes (align bottom hole then top). Insert thumb screws into panels with threaded holes. Thumb screw heads should be horizontal and 3/4" of the neck showing. Then slide slots in curved counter over thumb screws.

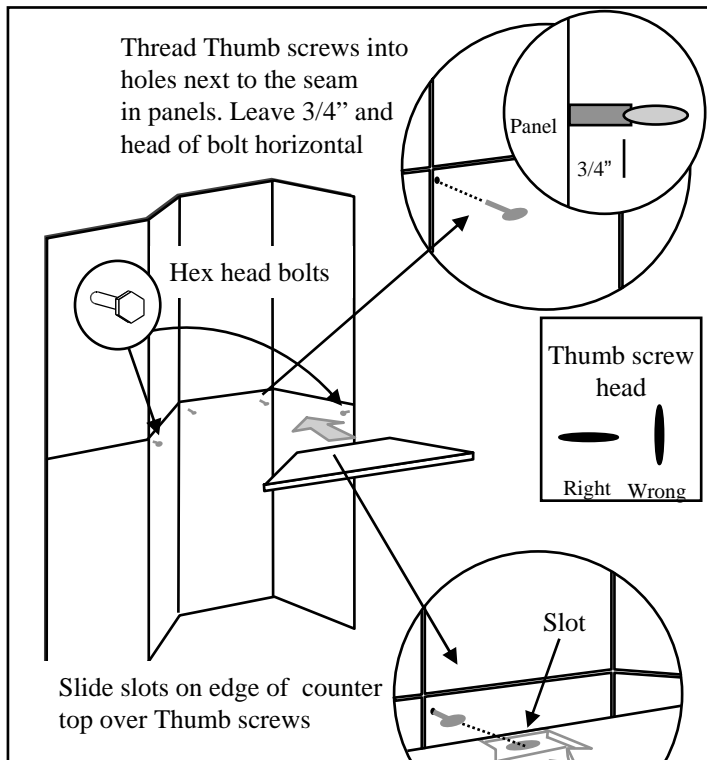
2.

Lock curved counter top on by turning thumb screws vertical. Then connect the flexible panels around curved counter top by guiding the pins into the receiving holes.

3.

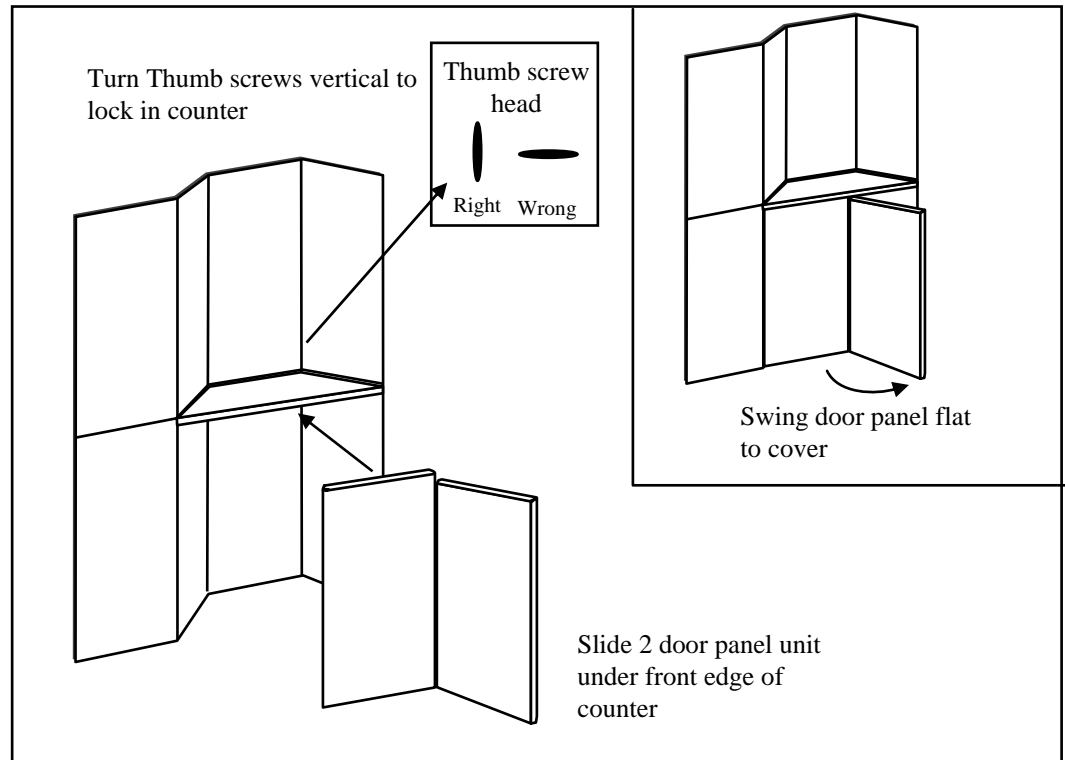
Set counter tops on top of panel sections, while lining panels into channels on bottom of counter tops.

45" Built In Counter with Front Panels Set-up Instructions



1.

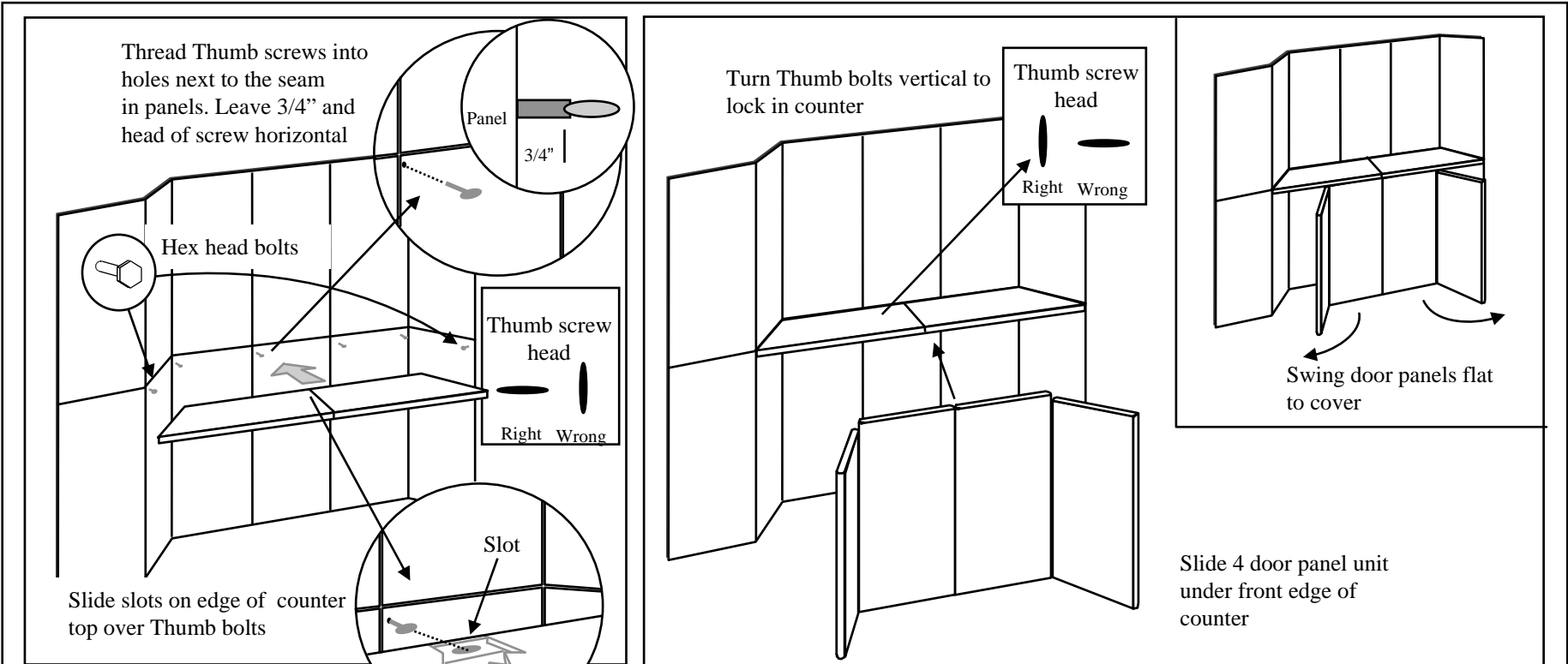
Thread 2 Thumb screws and 2 Hex bolts as in diagram into holes next to seams in panels leaving 3/4" of thread on bolt showing and Thumb screw heads horizontal. Slide slots on the edge of counter top over Thumb screws and rest front edge on Hex bolts.



2.

Turn Thumb screws vertical to lock counter top in place. Slide the 2 front panels under front edge of counter. The panels slipping into the cut out channel on the bottom front edge of the counter top. Swing shorter door panel flat to cover.

94" Built In Counter with Front Panels Set-up Instructions



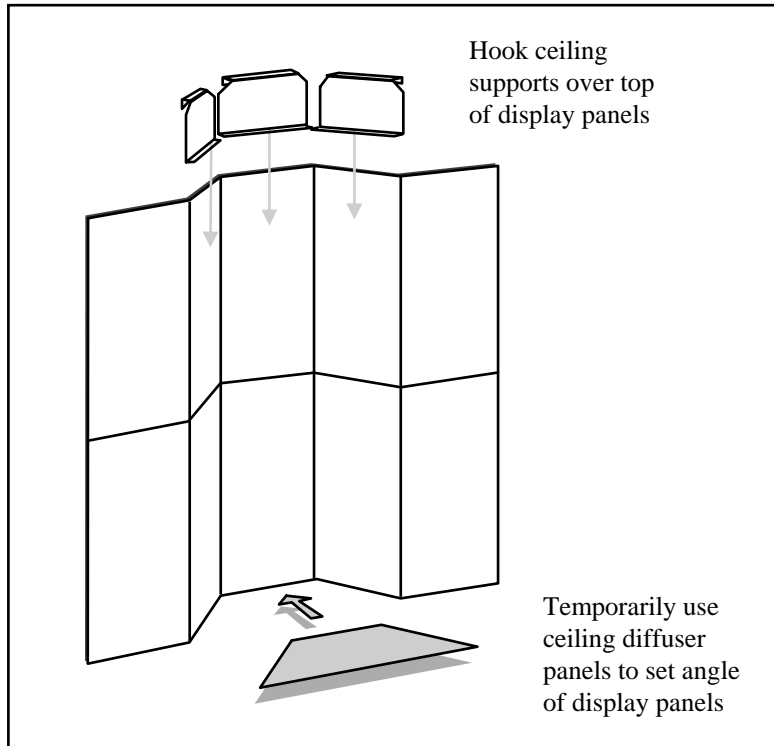
1.

Thread 4 Thumb screws and 2 Hex bolts as in diagram into holes next to seams in panels leaving 3/4" of thread on bolt showing and Thumb screw heads horizontal. Slide slots on the edge of counter top over Thumb screws and rest front edge on Hex bolts.

2.

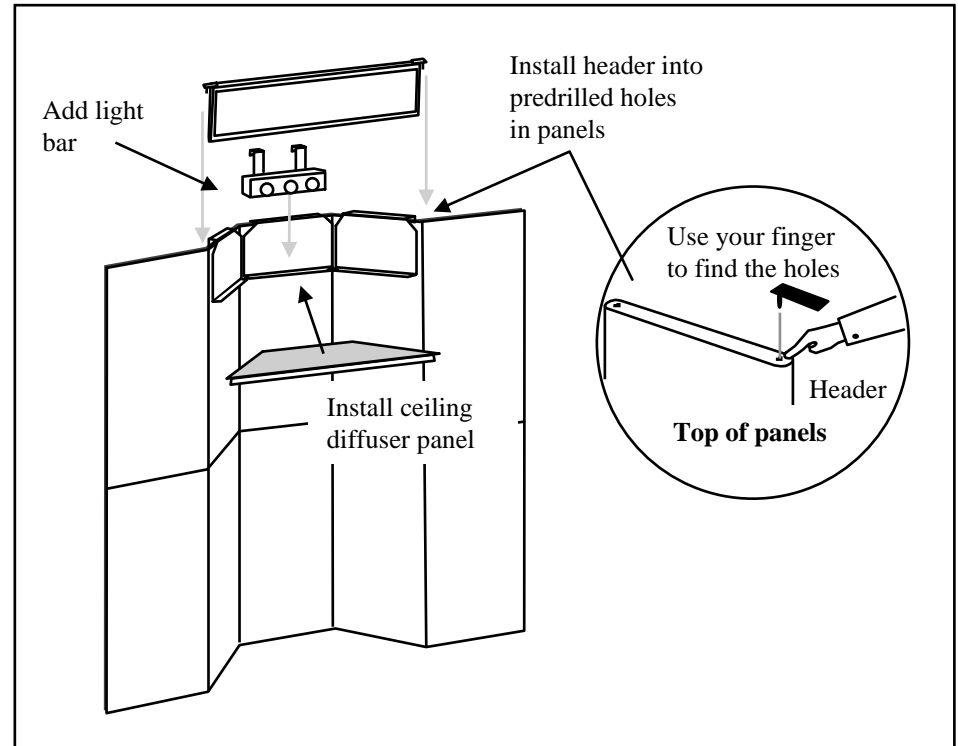
Turn Thumb screws vertical to lock counter top in place. Slide the 4 front panels under front edge of counter. The middle panel slipping into the cut out channel on the bottom front edge of the counter top. Swing shorter door panels flat to cover.

45" Backlit Header Set-up Instructions



1.

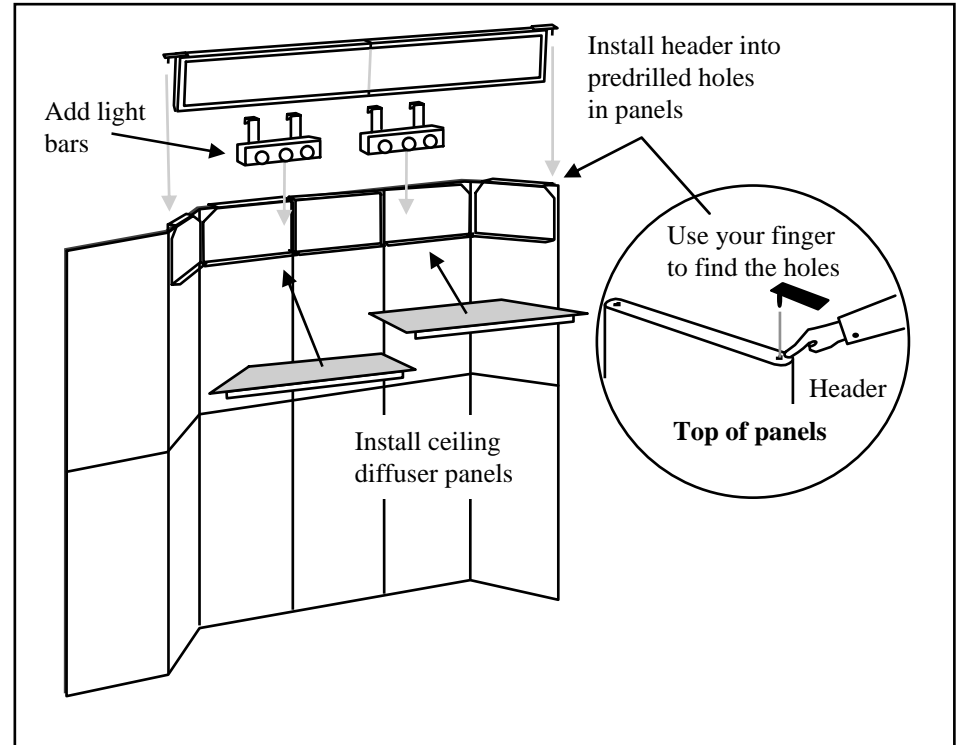
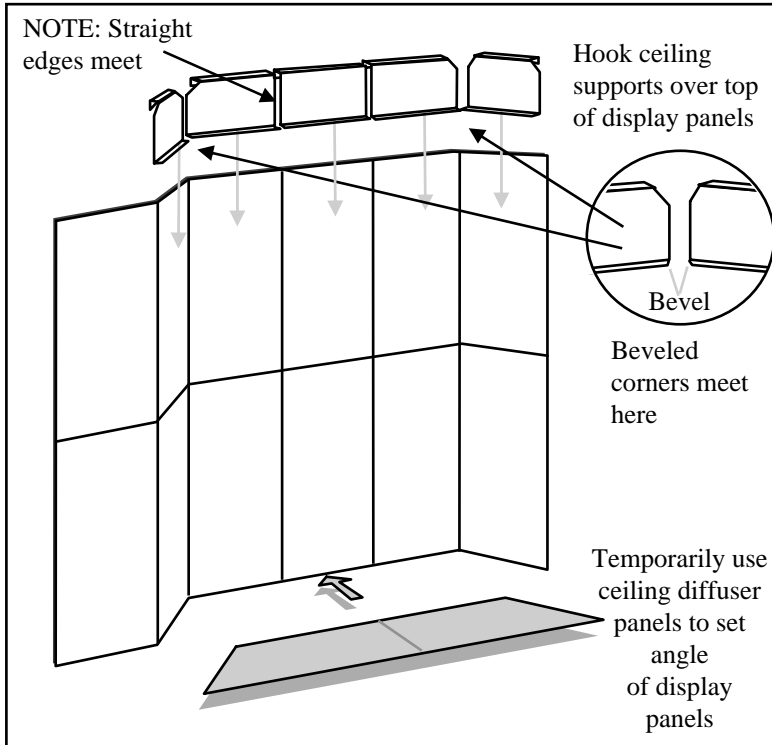
Temporarily set ceiling diffuser panel on floor in front of display to use as a guide for setting display walls to appropriate angle. Next hook ceiling supports over top of display panels.



2.

Hang light bars over the ceiling supports, screw in light bulbs, and let the cords hang over the back of the display. Then install header by inserting header pins into pre-drilled holes in panel tops (Use your finger to find holes). Install ceiling diffuser panel into bottom channels of header and ceiling supports.

94" Backlit Header Set-up Instructions



1.

Temporarily set ceiling diffuser panels on floor in front of display to use as a guide for setting display walls to appropriate angle. Next hook ceiling supports over top of display panels. NOTE: Make sure beveled aluminum channels on supports and straight edge of supports meet as shown.

2.

Hang light bars over the ceiling supports, screw in light bulbs and let the cords hang over the back of the display. Then install header by inserting header pins into pre-drilled holes in panel tops (Use your finger to find holes). Install ceiling diffuser panels into bottom channels of header and ceiling supports.